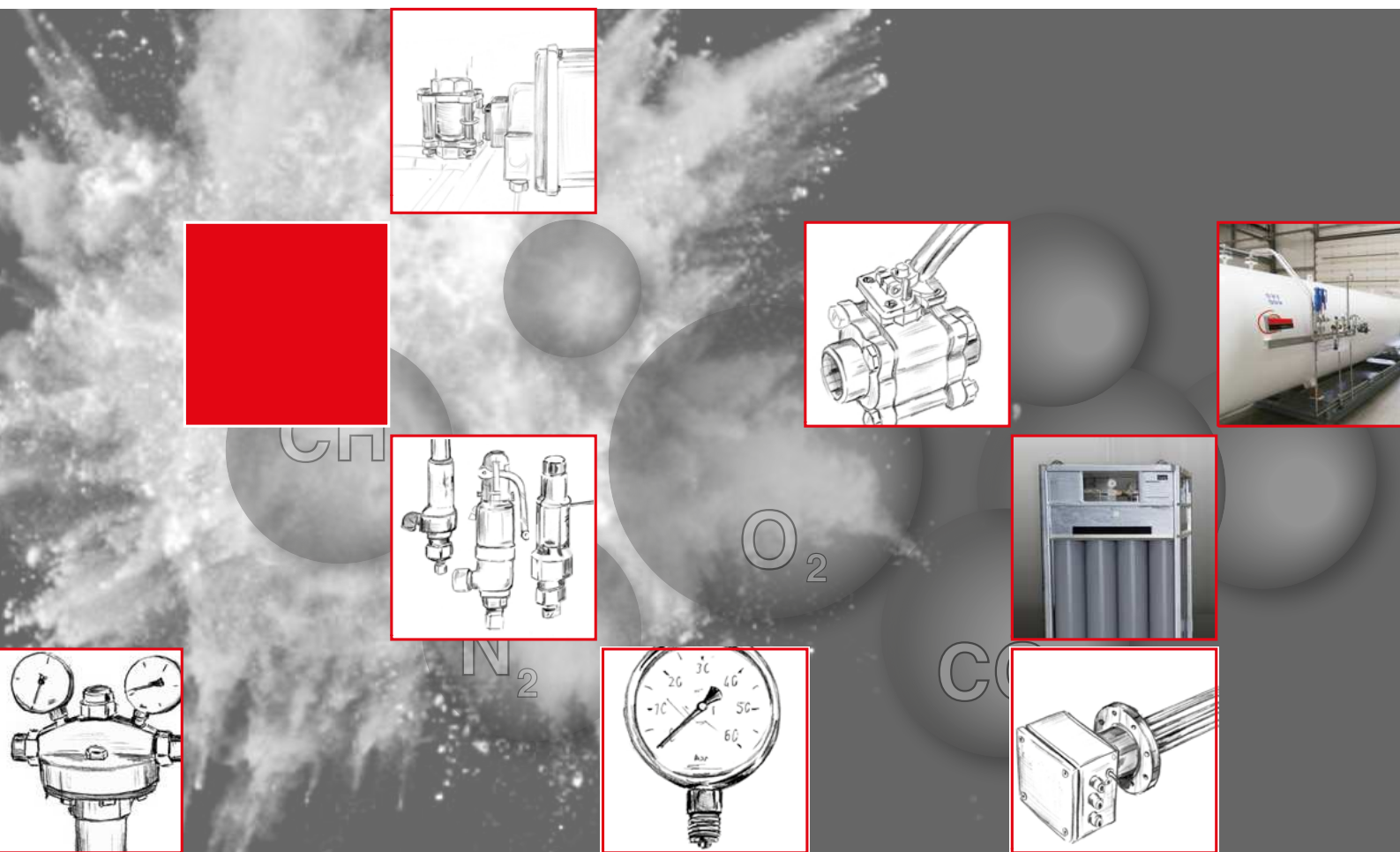




# Inerting Technology

Components and Systems



2022



# CONTENT

	Page
<b>1.      <b>INERTING TECHNOLOGY</b> robecco</b>	4
<b>2.      <b>SYSTEM SOLUTIONS</b></b>	5
<b>3.      <b>COMPONENTS</b></b>	6
3.1 <u>VESSEL HEATER</u>	6
3.1.1    Vessel flange heating element	6
3.1.2    Temperature limiter	7
3.2 <u>PRESSURE REDUCER for</u>	8
3.2.1    - CO <sub>2</sub> High-pressure and low-pressure inerting systems	9
3.2.2    - for N <sub>2</sub> High-pressure inerting systems	10
3.2.3    - for CO <sub>2</sub> High- and low-pressure and for N <sub>2</sub> High-pressure inerting systems	14
3.3 <u>PRESSURE SWITCH / PRESSURE LIMITER</u>	16
3.4 <u>PRESSURE SWITCH</u>	18
3.5 <u>PRESSURE SENSOR</u>	22
3.6 <u>HIGH PRESSURE HOSES</u>	24
3.7 <u>HIGH PRESSURE ANGLE VALVE</u>	26
3.8 <u>INERTING NOZZLE</u> Complete set consisting of	28
3.8.1    Flat fan nozzle	28
3.8.2    Non return valve	29
3.9. <u>INERTING VALVE</u> Complete set with ball valve and activator	30
3.10. <u>BALL VALVES</u>	32
3.11. <u>MANHOLE SEAL</u>	36
3.12. <u>PRESSURE GAUGE</u>	38

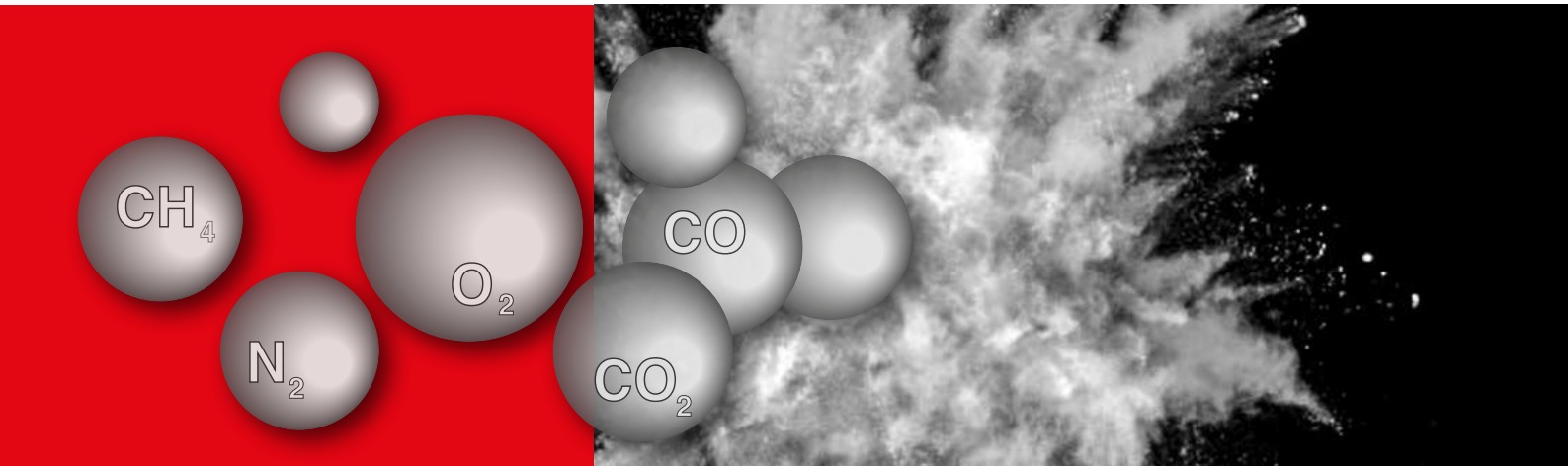


# CONTENT

	<b>Page</b>
3.13 <u>PRESSURE GAUGE VALVE</u>	40
3.14 <u>STRAINER</u>	42
3.15 <u>SAFETY VALVES</u>	44
3.16 <u>FLOW SENSOR</u>	47
3.17 <u>LOAD CELLS</u>	49
3.18 <u>WATER SPRINKLING UNIT</u> <i>consisting of</i>	51
3.18.1   Solenoid valve	52
3.18.2   Hose line	52
3.18.3   Full cone nozzle	52
3.19 <u>CHANGE OVER VALVE</u>	53



# Inerting Technology



INERTING is an effective method to prevent explosions and fire.

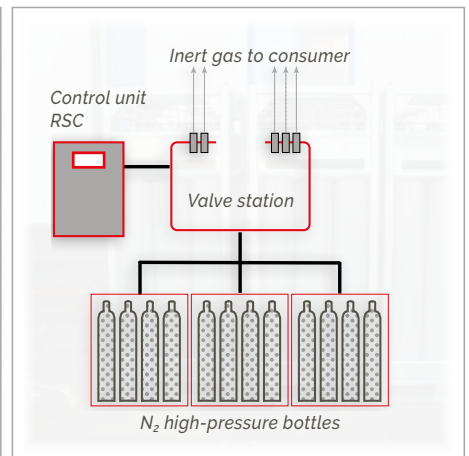
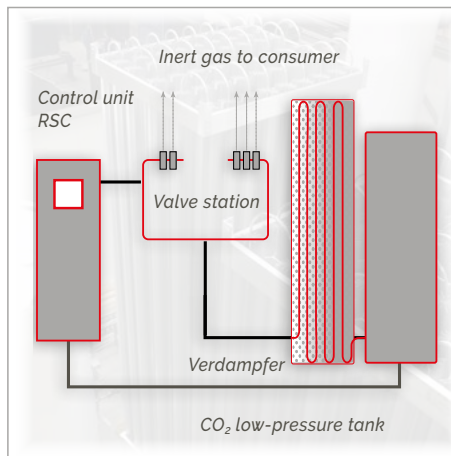
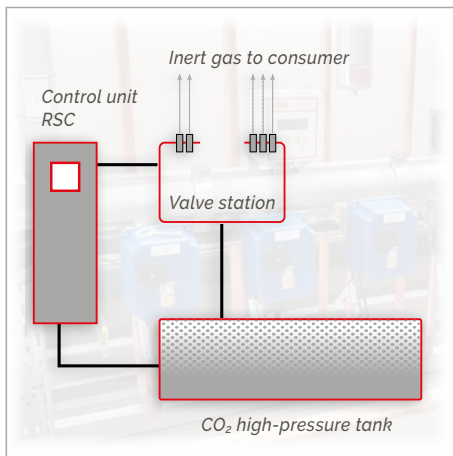
robecco recommends the use of the original robecco spare parts for the inerting systems.

This ensures safe operation of the system, without long idle times.



# SYSTEM SOLUTIONS

## Overview of the robeco CO<sub>2</sub> / N<sub>2</sub> - Inerting systems.



**HIGH-PRESSURE  
CO<sub>2</sub>-  
INERTING**

**robeco INERT**



HIGH AMOUNTS OF CO<sub>2</sub>-GAS DIRECTLY FROM THE TANK

**LOW-PRESSURE  
CO<sub>2</sub>-  
INERTING**

**robeco INERT**



TANKS CAN BE FILLED WITH LOW PRESSURE FROM TANK TRUCKS

**HIGH-PRESSURE  
N<sub>2</sub>-  
INERTING**

**robeco INERT**



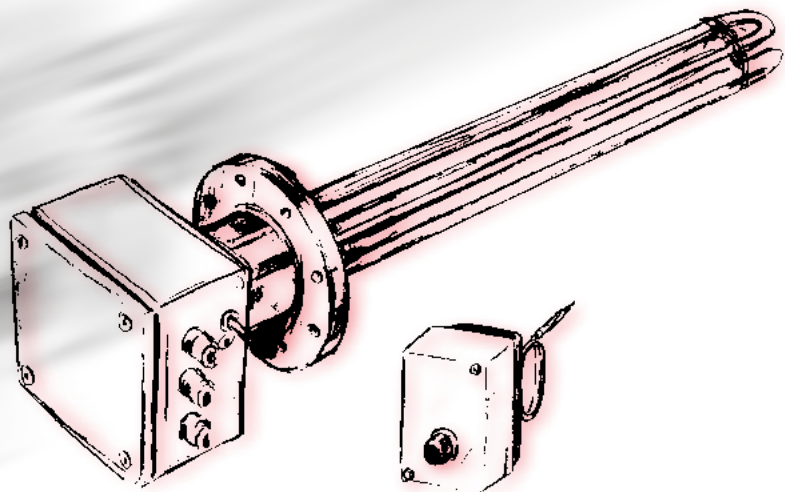
N<sub>2</sub>-GAS AVAILABLE DIRECTLY FROM THE PACKS



## Vessel heater

Vessel flange heating element BH-S |  
Temperature limiter TB-J

Heating and temperature limitation for high-pressure vessels



### OPERATIONAL AREA

CO<sub>2</sub> High-pressure inerting systems



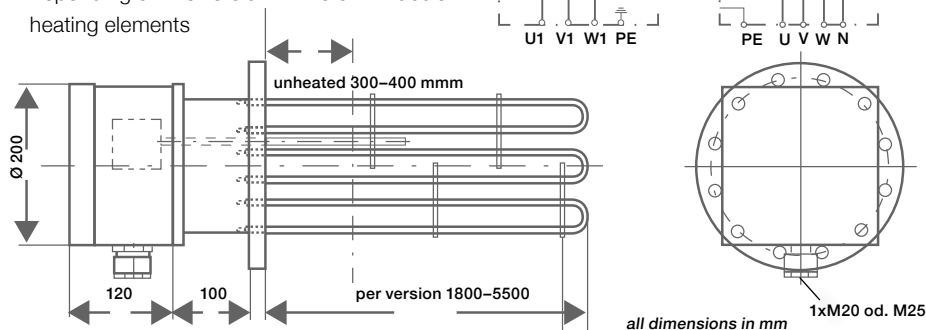
# Vessel heater

## Vessel flange heating element BH-S | Temperature limiter TB-J

Vessel flange heaters are used for heating liquid or gaseous media.  
The temperature limiter monitors and controls the temperature at the heater.

### Vessel heater BH-S

- ❑ Direct heating of the medium
- ❑ Easy to operate
- ❑ Low maintenance costs
- ❑ Above-average insulation strength
- ❑ Depending on the version with 6 or 12 tubular heating elements



#### Material

Stainless steel

#### Media

liquid | gaseous

#### Operating temperature

up to 650°C

#### Nominal power

varies per type s.b.

#### Nominal voltage

V, Hz varies per type s.b.

#### Process connection

Flange B80 PN6, DIN 2527

#### Protection class

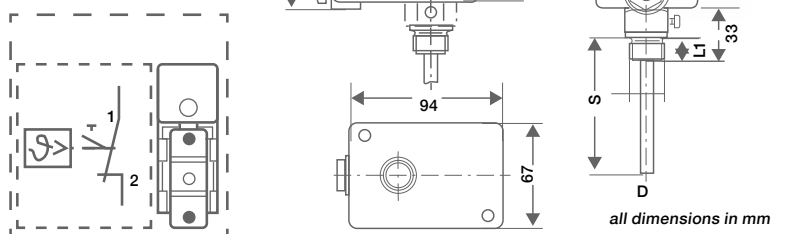
IP 54 | IP 65

#### Guidelines

2014/68/EU Pressure Equipment Directives  
Welding procedure AD2020 HPOI DIN EN ISO

### Temperature limiter TB-J

- ❑ With capillary, sensor as standard
- ❑ Robust housing
- ❑ Safety temperature limiter



#### Operating temperature

-3°C up to +40°C

#### Max. limit value

500°C

#### Switching capacity

10A , 230 V

#### Connection

smooth round sensor

#### Protection class

IP 54

#### Guidelines

Pressure Equipment Directives 2014/68/EU  
Low Voltage 2014/35/EU  
EMV 2014/30/EU

### ORDER NUMBERS

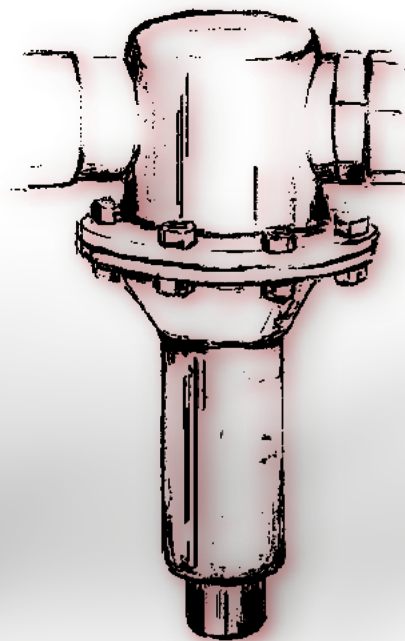
<b>Vessel flange heating element BH-S5</b>	Nominal power 9,5 kW, Nominal voltage 400 V, 60 Hz L1, L2, L3, PE, Triangle connection, Installation length 1800 mm	<b>R002895</b>
<b>Vessel flange heating element BH-S9</b>	Nominal power 9,5 kW, Nominal voltage 525 V, 50 Hz, L1, L2, L3, N, PE, Star connection, Installation length 1800 mm	<b>R002898</b>
<b>Vessel flange heating element BH-S1</b>	Nominal power 19 kW, Nominal voltage 400V, 50 Hz, L1, L2, L3, PE, Triangle connection, Installation length 4350 mm	<b>R002892</b>
<b>Vessel flange heating element BH-S3</b>	Nominal power 19 kW, Nominal voltage 400 V, 50 Hz, L1, L2, L3, N, PE Star connection, Installation length 4350 mm	<b>R002853</b>
<b>Vessel flange heating element BH-S4</b>	Nominal power 9,5 kW, Nominal voltage 400 V, 50 Hz, L1, L2, L3, N, PE Star connection, Installation length 1800 mm	<b>R002894</b>
<b>Vessel flange heating element BH-S6</b>	Nominal power 19 kW, Nominal voltage 400 V, 50 Hz, L1, L2, L3, PE, Triangle connection, Installation length 3350 mm	<b>R002896</b>
<b>Vessel flange heating element BH-S7</b>	Nominal power 19 kW, Nominal voltage 400 V, 50 Hz, L1, L2, L3, N, PE, Star connection, Installation length 3350 mm	<b>R002785</b>
<b>Vessel flange heating element BH-S8</b>	Nominal power 22,5 kW, Nominal voltage 415 V, 50 Hz, L1, L2, L3, N, PE, Star connection, Installation length 3350 mm	<b>R002897</b>
<b>Vessel flange heating element BH-S2</b>	Nominal power 25 kW, Nominal voltage 400 V, 50 Hz, L1, L2, L3, N, PE Triangle connection, Installation length 4350 mm	<b>R002893</b>
<b>Vessel flange heating element BH-S10</b>	Nominal power 27 kW, Nominal voltage 380 V, 50 Hz, L1, L2, L3, N, PE, Star connection, Installation length 5500 mm	<b>R002899</b>
<b>Wooden box for Vessel flange heating element</b>	Sturdy box for delivery abroad	<b>R002900</b>
<b>Temperature limiter TB-J</b>		<b>R002811</b>



## Pressure reducer

DM-M1

Pressure reducing for gases



### OPERATIONAL AREA

CO<sub>2</sub> High-pressure inerting system

CO<sub>2</sub> Low pressure inerting system





# Pressure reducer

## DM-M1

Pressure reducing valves reduce a high and frequently fluctuating pressure to an adjustable constant pressure downstream of the valve.

### Pressure reducer DM-M1

- single seated straight-way valve, diaphragm controlled
- New version with PEEK-round cone

#### Material

Cone gasket: EPDM  
 Diaphragm: CR FPM/EPDM  
 Body: CrNiMo-steel  
 Inner parts: Messing / Cr-steel  
 Spring: CrNi-steel  
 Valve sealing: EU FPM/EPDM/PTFE

#### Kvs-value

0,6 – 4,2m<sup>3</sup>/h

#### Temperature range

-20°C up to +130°C

#### Inlet pressure

up to 100 bar

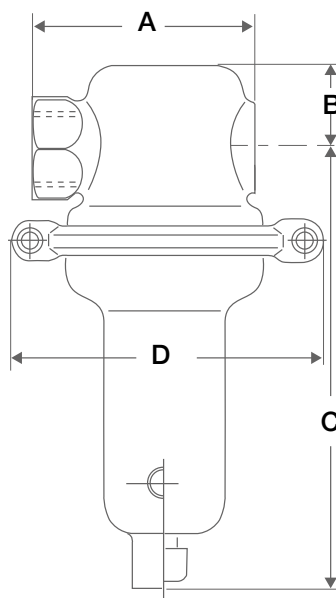
#### Outlet pressure

0,8 – 16 bar

#### Inlet connection / Outlet connection

BSP female connection G1/2 – 2"  
 Flange connection DN 20–DN 50

### TECHNICAL DATA



### DIMENSIONS

#### Nominal size G

	1/2	3/4	1	1 1/4	1 1/2	2
<b>A</b>	85	95	105	120	130	150
<b>B</b>	37	48	45	43	50	56
<b>C</b>	195	200	200	205	205	220
<b>D</b>	138					
Weight	1,5	2	2	2,5	3	3,5

### ORDER NUMBERS

<b>Pressure reducer DM-M1</b>	G 3/4", 4-8 bar	<b>R002713</b>
<b>Pressure reducer DM-M1</b>	G 1", 4-8 bar	<b>R002716</b>
<b>Pressure reducer DM-M1</b>	G 1 1/4", 4-8 bar	<b>R002717</b>
<b>Pressure reducer DM-M1</b>	G 1 1/4", 10-16 bar	<b>R002796</b>
<b>Pressure reducer DM-M1</b>	G 1", 10-16bar	<b>R002715</b>
<b>Pressure reducer DM-M1</b>	G 1 1/2", 10-16 bar	<b>R002719</b>
<b>Pressure reducer DM-M1</b>	G 2", 10-16 bar	<b>R002722</b>
Repairing set for DM-M1	G 3/4"	<b>R002877</b>
Repairing set for DM-M1	G 1"	<b>R002876</b>
Repairing set for DM-M1	G 1 1/4"	<b>R002875</b>
Repairing set for DM-M1	G 1 1/2"	<b>R002878</b>
Repairing set for DM-M1	G 2"	<b>R002879</b>
Pressure reducer - PEEK round cone to retrofit older pressure reducers		<b>R002757</b>

----- For easy installation retrofit or equipped with flanges -----

#### Pressure reducer flanges

#### Welding flanges

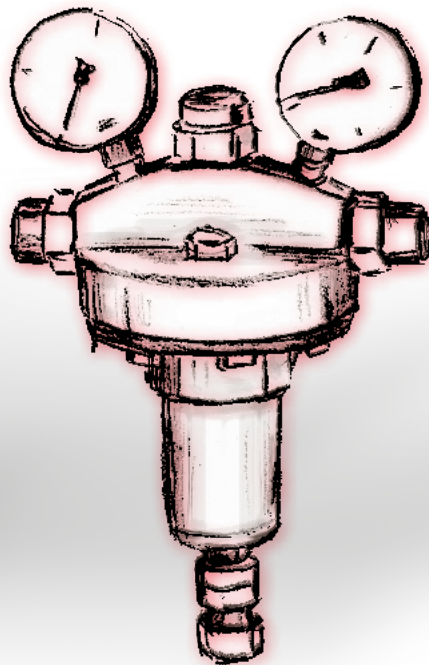
High pressure flange adapter DN20 for DM-M1 3/4" <b>R002863</b>	2x V-flanges DN20 PN100 with 2x special seals 72/31*4, M16x65 8 pieces screws, 8 nuts, 16 washer	<b>R002864</b>
High pressure flange adapter DN25 for DM-M1 1" <b>R002865</b>	2x V-flanges DN25 PN100 with 2x special seals 82/36*4, M16x75 8 pieces screws, 8 nuts, 16 washer	<b>R002866</b>
High pressure flange adapter DN32 for DM-M1 1 1/4" <b>R002867</b>	2x V-flanges DN32 PN100 with 2x special seals 88/46*4, M20x70 8 pieces screws, 8 nuts, 16 washer	<b>R002868</b>
High pressure flange adapter DN40 for DM-M1 1 1/2" <b>R002869</b>	2x V-flanges DN40 PN100 with 2x special seals 103/53*4, M20x75 8 pieces screws, 8 nuts, 16 washer	<b>R002870</b>
High pressure flange adapter DN50 for DM-M1 2" <b>R002871</b>	2x V-flanges DN50 PN100 with 2x special seals 8 pieces screws, 8 nuts, 16 washer	<b>R002872</b>



## Pressure reducer

DM-H2

Pressure reduction for non-flammable gases



### OPERATIONAL AREA

N<sub>2</sub> High-pressure inerting systems



# Pressure reducer

## DM-H2

The pressure reducer DM-H2 reduces the max. inlet pressure of 300 bar to a maximum outlet pressure of 20 bar. It is a single-stage, diaphragm-controlled pressure reducer with inlet pressure compensation. The special piston design ensures a high pressure constancy.

### Pressure reducer DM-H2

- Use with non-flammable gases
- Integrated dirt filter and pressure gauge
- Designed according to DIN EN738-2 and BAM tested for oxygen
- Single-stage, diaphragm-controlled pressure reducer with inlet pressure compensation
- Large pressure constancy ensured
- Blow-off valve for discharging excess pressure

#### Material

Body: Brass

#### Temperature range

-20°C up to +60°C

#### Adjustment range

0,5 – 20 bar

#### Inlet pressure

max. 300 bar

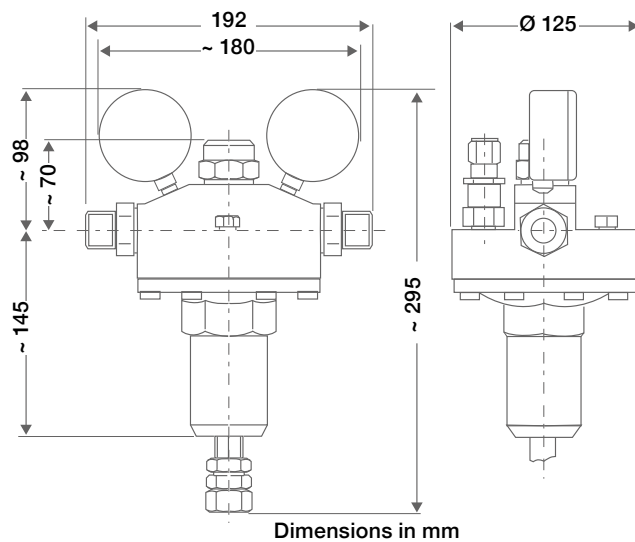
#### Maximum permissible outlet pressure

20 bar

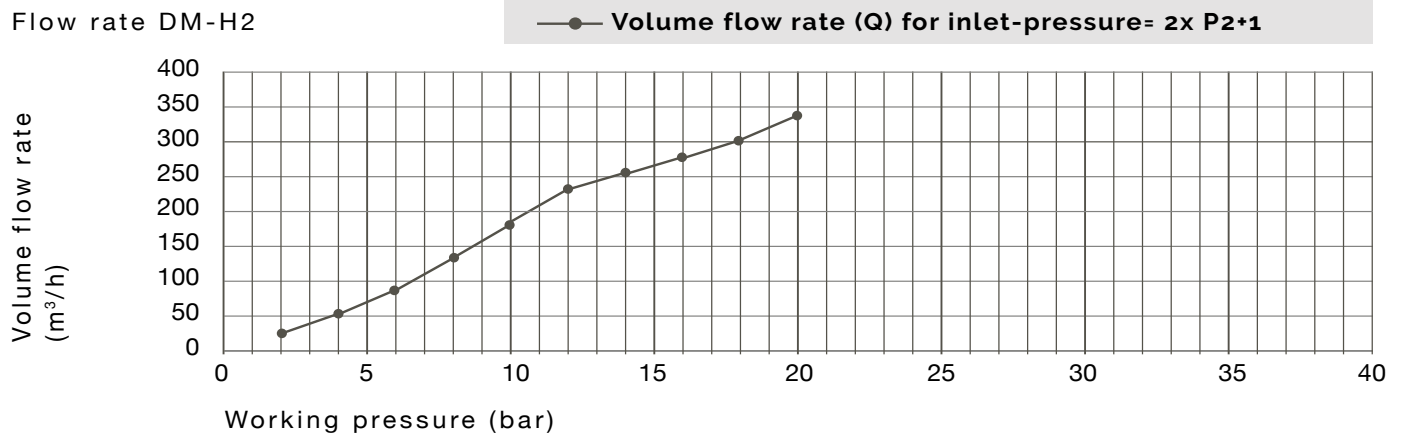
#### Input / Output:

SP female connection G3/4" / G3/4"

### TECHNICAL DATA



### Flow rate DM-H2



### ORDER NUMBERS

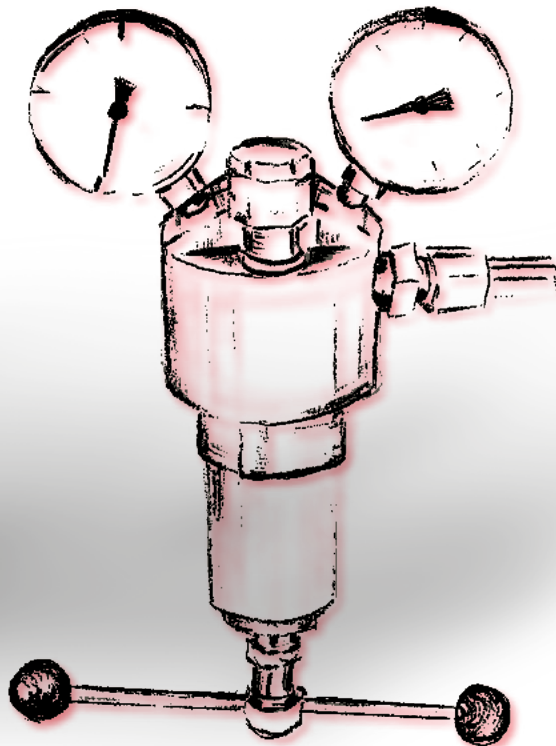
Pressure reducer DM-H2	0,5 – 20 bar	R002728
Repairing set for DM-H2		R002873



## Pressure reducer

DM-H3

Pressure reduction for non-flammable gases



### OPERATIONAL AREA

N2 High-pressure inerting systems



# Pressure reducer

## DM-H3

The pressure reducer DM-H3 reduces the inlet pressure from max. 300 bar to a pressure of max. 35 bar and keeps it constant. It is a single-stage pressure reducer with safety valve.

### Pressure reducer DM-H3

- Use with non-flammable gases
- Integrated dirt filter and pressure gauger
- Designed according to DIN EN961, BAM tested
- Single-stage, diaphragm-controlled pressure reducer with inlet pressure compensation
- Large pressure constancy ensured

#### Material

Body: Brass

#### Temperature range

-20°C up to +60°C

#### Adjustment range

0 – 10 bar

#### Inlet pressure

max. 300 bar

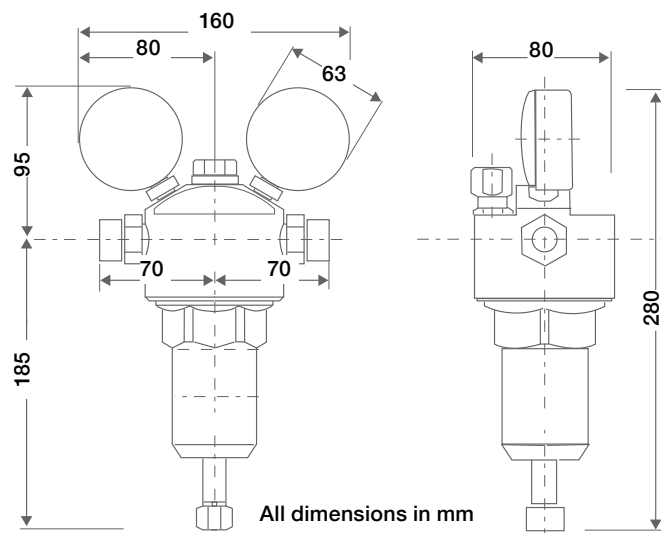
#### Maximum permissible outlet pressure

35 bar

#### Input / Output:

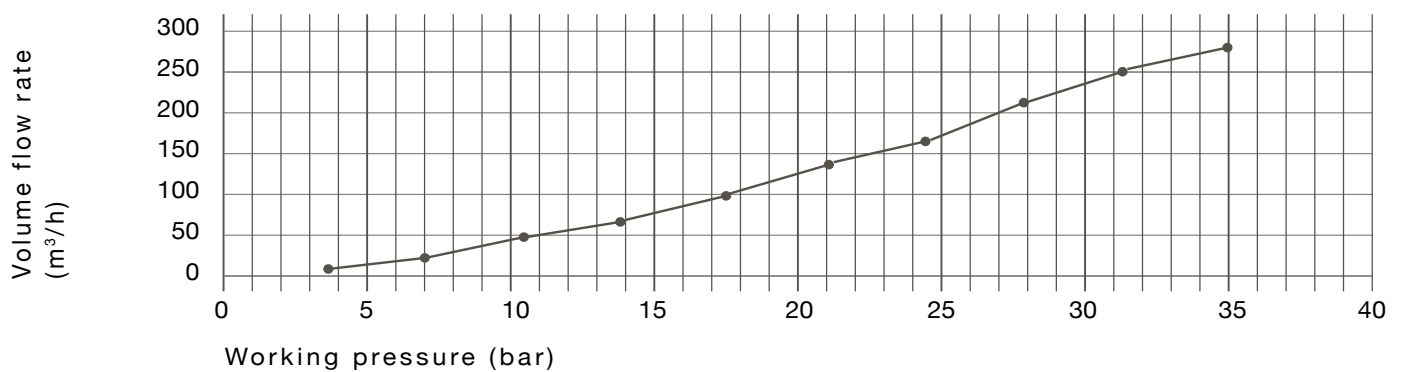
BSP female connection G1/2

### TECHNICAL DATA



### Flow rate DM-H3

—●— Volume flow rate (Q) for inlet-pressure =  $2 \times P_2 + 1$  (m<sup>3</sup>/h)



### ORDER NUMBERS

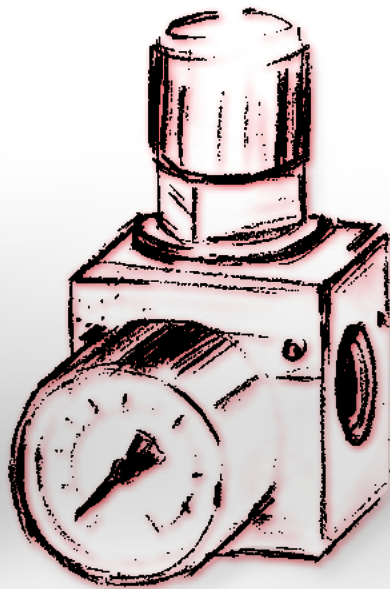
Pressure reducer DM-H3	0–10 bar	R002729
Repairing set for DM-H3		R002874



## Pressure reducer

DM-R1

Pressure reduction for gases



### OPERATIONAL AREA

CO<sub>2</sub> / N<sub>2</sub> High-pressure inerting systems

CO<sub>2</sub> Low-pressure inerting systems



# Pressure reducer

## DM-R1

Pressure reducers reduce a high, often fluctuating pressure to an adjustable, constant pressure downstream of the valve. The DM-R1 is a diaphragm pressure regulator with secondary venting.

### Pressure reducer DM-R1

- Block design
- Diaphragm pressure regulator with secondary venting
- Easy interlocking of several individual units
- Pressure setting can be locked in place
- Can be installed in any position
- Inlet pressure independence
- Pressure gauge can be mounted on both sides
- Pressure gauge Ø 50 included in scope of delivery
- Single-seated globe valve, diaphragm-operated

#### Material

Head piece: Zinc-Z 410  
 Spring cap: POM-Ms  
 Diaphragm: NBR-Ms  
 Pressure spring: Galvanised steel  
 Valve cone: NBR-Ms  
 Back pressure spring: Niro  
 O-ring 50x2: NBR  
 Cover: PBTP  
 Spring cap lockable: POM-Al  
 Locking cylinder lockable: Ms

#### Medium temperature

max. 60°C

#### Ambient temperature

max. 60°C

#### Maximum inlet pressure p1

16 bar

#### Maximum permissible outlet pressure

0,5 – 10 bar

#### Connection

G 1/2"

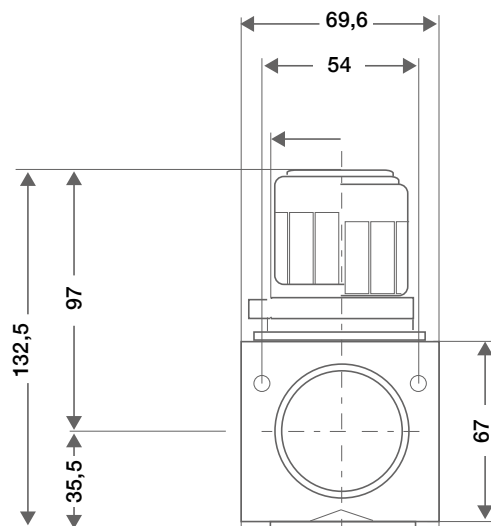
#### Pressure gauge connection

G 1/4"

#### Weight

935 g

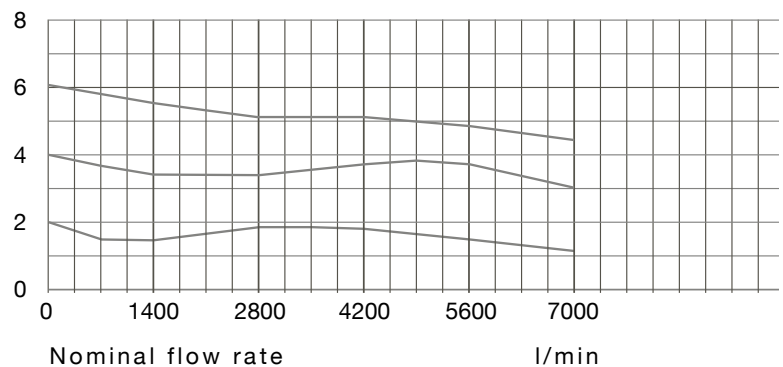
### TECHNICAL DATA



All dimensions in mm

#### Flow rate

Outlet pressure p2  
(bar)



### ORDER NUMBERS

Pressure reducer DM-R1

1/2", 0,5–10 bar

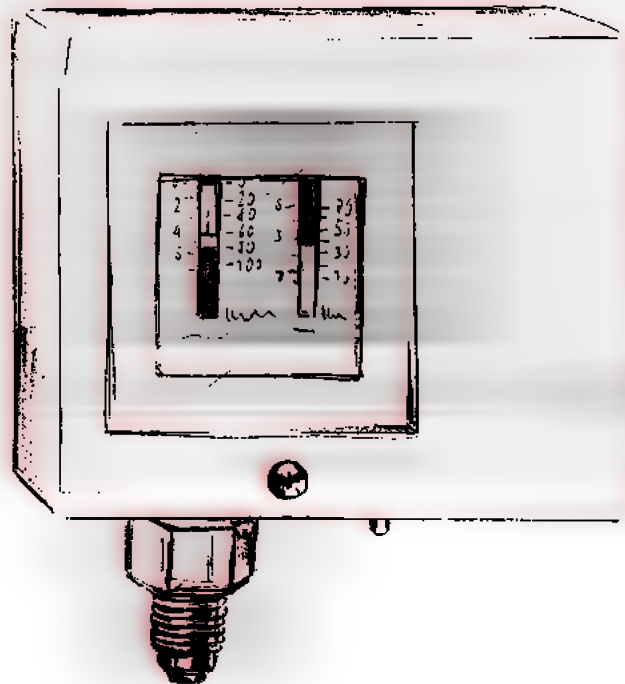
R002725



## Pressure switch / limiter

DS-E | DB-E

Safety pressure limiter



### OPERATIONAL AREA

CO<sub>2</sub> Low-pressure inerting systems





# Pressure switch / limiter

## DS-E | DB-E

Adjustable single pressure switches for low pressure applications.

### Pressure switch DS-E

- Adjustable pressure range
- Range and differential setting individually sealable
- Change-over contacts with high contact load capacity
- Test lever with front operation for maintenance and system filling
- Automatic pressure switch

### Pressure limiter DB-E

- Adjustable pressure range
- Range and differential setting individually sealable
- Change-over contacts with high contact load capacity
- Test lever with front operation for maintenance and system filling
- With manual reset for rising pressure

## TECHNICAL DATA

### Material

Housing shell: Polycarbonate (PC)  
 Housing frame: Steel, ROHS compatible, corrosion protection  
 Materials with medium contact: Bronze

### Ambient temperature

-50 °C ... +70 °C

### Medium temperature

-50 °C ... +70 °C

### Permissible operating overpressure

-0.9 bar to 31 bar

### Protection class

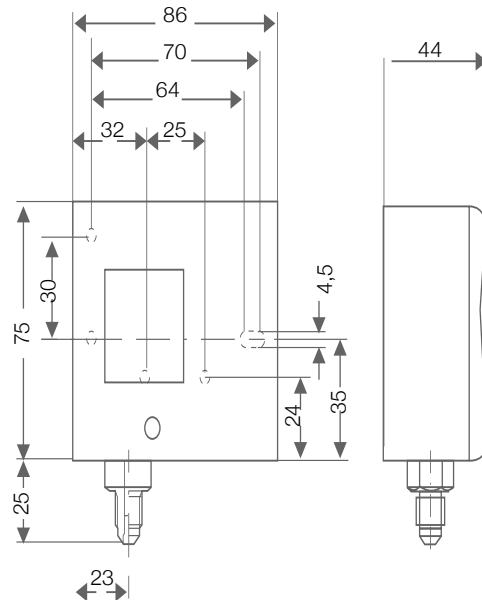
IP44

### Weight

ca. 500g

### Dimensions

86mm W x 75mm H x 44mm D

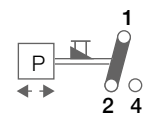
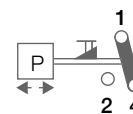
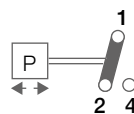


### Switch functions:

Automatic  
Reset

Manual reset with  
falling pressure

Manual reset with  
increasing pressure



## ORDER NUMBERS

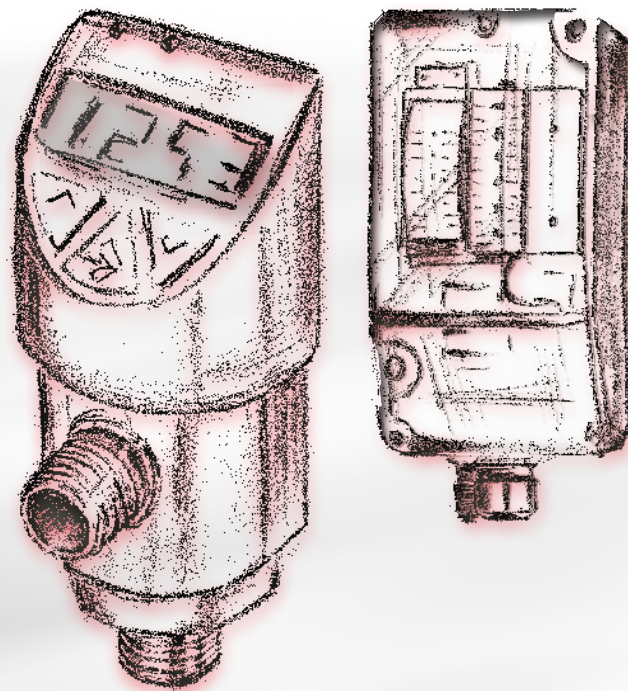
<b>Pressure switch DS-E</b>	6 up to 31 bar, automatic	<b>R002880</b>
<b>Pressure limiter DB-E</b>	6 up to 31 bar, with external manual reset	<b>R002881</b>



## Pressure switch

DS-M | DS-P

Detection and monitoring of system pressures



### OPERATIONAL AREA

CO<sub>2</sub> High-pressure inerting systems



# Pressure switch

## DS-M | DS-P

Pressure switches detect and monitor system pressures.

### Pressure switch DS-M

- Measuring range 4, 100, 400 bar
- Display for current pressure, min/max value memory
- Manipulation protected by password query
- Various switching functions programmable
- LED display

### Pressure switch DS-P

- Measuring range 0 - 100 bar
- With calibrated setpoint scales
- With frictionless force balance measuring system
- With integrated actual value display
- operating comfort

### TECHNICAL DATA

#### Material

Housing: Lower part steel 316L,  
Head: plastic PBT

#### Ambient temperature

-20°C – +85°C

#### Measuring range

40, 100 or 400 bar

#### Auxiliary power supply

15...30 DC

#### Alarm output

2 x transistor PNP NC/NO contact

#### Analogue output

0/4...20 mA, freely programmable  
and scalable

#### Protection class

IP 67

#### Electrical connection

Round connector M12 x 1

#### Process connection

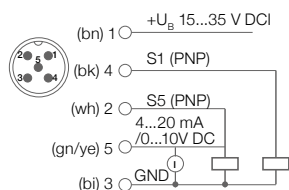
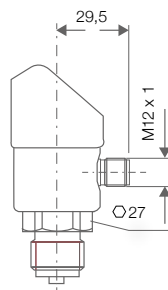
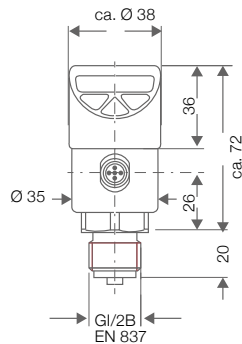
G1/2B External thread

#### Weight

max. ca. 280g

#### CE conformity

2004/108/EG, EN 61326, Interference  
emission group 1, class B,  
Pressure Equipment Directives 2014/68/EU



2 switching outputs  
+ analogue output

#### Material

Housing:  
Polycarbonate a. Stainless steel 1.4571  
Parts in contact with medium: Brass

#### Ambient temperature

-20°C – +70°C

#### Measuring range

0–100 bar

#### Digital output

Limit switching

#### Protection class

IP 65

#### Electrical connection

M20

#### Process connection

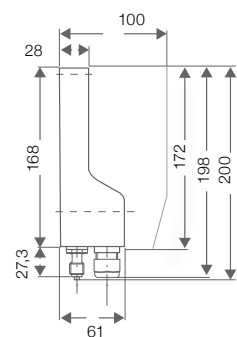
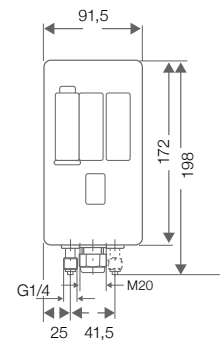
G1/2 outside stainless steel

#### Weight

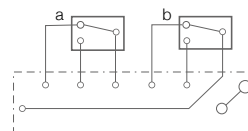
1–1,5 kg

#### CE conformity

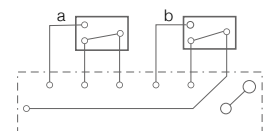
DW 3598-4, 1986 | vd TÜV-100/1  
TRD 604  
Pressure Equipment Directives 2014/68/EU



#### Positive overpressure



#### Negative overpressure



### ORDER NUMBERS

**Pressure switch DS-M** 40, 100 or 400 bar **R002792**

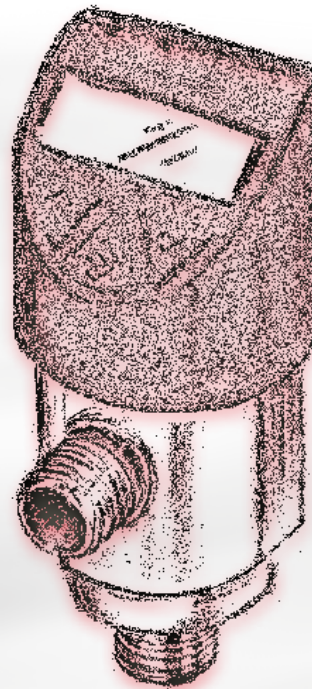
**Pressure switch DS-P** 0–100 bar **R002806**



## Pressure switch

DS-W

Detection and monitoring of system pressures



### OPERATIONAL AREA

CO<sub>2</sub> High-pressure inerting systems



# Pressure switch

## DS-W

Pressure switches detect and monitor system pressures.

### Pressure switch DS-W

- Measuring range 0-100 bar
- Display for current pressure, min/max value memory
- 2x overpressure limit
- Various switching functions programmable
- LED display
- shock resistance 50g, 6ms

### TECHNICAL DATA

#### Material

Messstoffberührte Bauteile: CrNi-Stahl 316L + PH-Stahl

#### Ambient temperature

-20°C – +80°C

#### Measuring range

0-100 bar

#### Auxiliary power supply

15...35 DC

#### Alarm output

2 x switching output (PNP/NPN)

#### Analogue output

4...20 mA, freely programmable  
and scalable

#### Protection class

IP 65 and IP 67

#### Electrical connection

Round connector M12 x 1

#### Process connection

G 1/4 A DIN EN ISO 1179-2

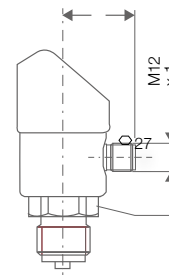
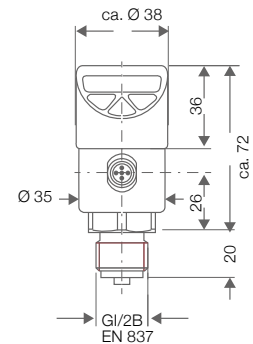
Sealing NRB

#### Weight

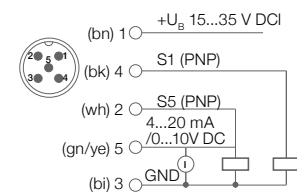
max. ca. 280g

#### CE conformity

DGRL EMV, EN 61326 Emission (Group 1, Class B)  
and Immunity ( industrial area )



2 switching outputs  
+ analogue output



### ORDER NUMBERS

**Pressure switch DS-W** 0-100 bar  
**Pressure switch DS-W** 0-100 bar incl. 5m cableset

**R003170**  
**R003171**

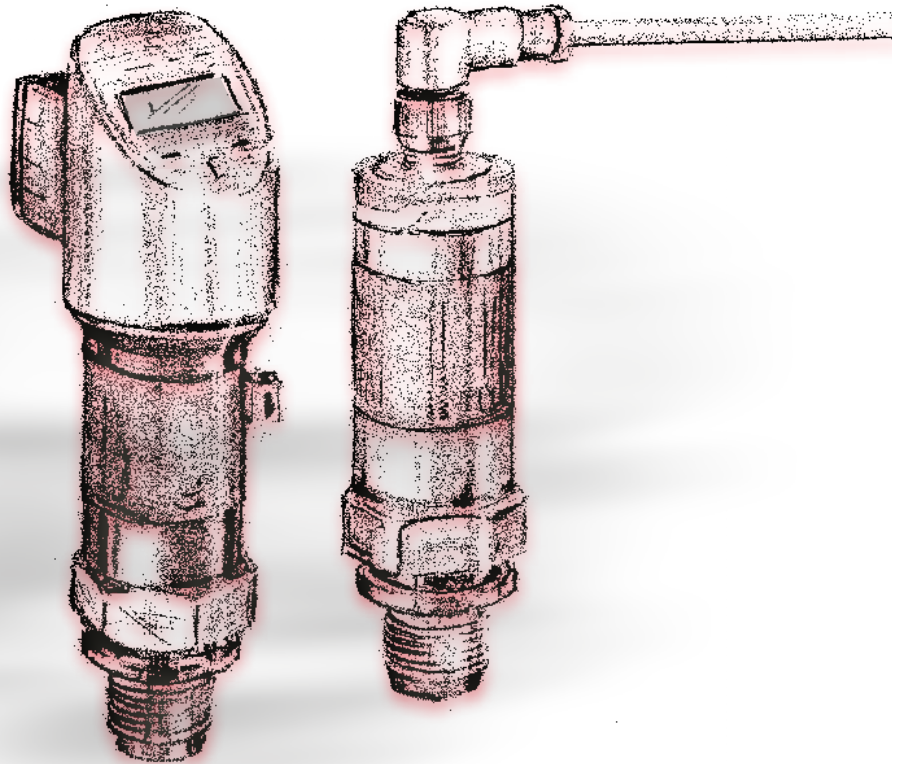




## Pressure sensor

DS-C1 | DS-C2 | DS-C3

Process pressure measurement



### OPERATIONAL AREA

CO<sub>2</sub> / N<sub>2</sub> High-pressure inerting systems

CO<sub>2</sub> Low-pressure inerting systems



# Pressure sensor

## DS-C1 | DS-C2 | DS-C3

These pressure sensors are suitable for the safe measurement and monitoring of absolute and relative pressure in gases, vapours, liquids and dusts.

We reserve the right to amend specification

Pressure sensor\_DS-C robecco 04/2021

### Pressure sensor DS-C1

- Absolute and relative pressure measurable up to 100 bar
- Reference accuracy 0,3%
- Very compact
- For use internationally

### Pressure sensor DS-C2

- Absolute and relative pressure measurable up to 400 bar
- Reference accuracy 0,5%
- Very compact
- Integrated switching electronics for decentralized monitoring
- Incl. LED switch display

### Pressure sensor DS-C3

- Absolute and relative pressure measurable up to 100 bar
- Reference accuracy 0,5%
- Very compact
- Integrated switching electronics for decentralized monitoring
- Incl. LED switch display

### TECHNICAL DATA

#### Material

Housing of 316L (1.4404)

#### Process temperature

-40°C up to +100 °C

#### Ambient temperature

-40°C up to +85 °C

#### Measuring range

0...+100 bar

#### Measuring principle

Absolute and gauge pressure

#### Supply voltage

10...30 VDC

#### Power consumption / communication

4...20 mA

#### Protection class

IP 68

#### Process connection

Thread G1/2, EN 837

#### Weight

ca. 500g

#### Valve plug

M16

**Material:** Housing AISI 316L with electropolished surface

#### Process temperature

-40°C up to +100 °C

#### Ambient temperature

-20°C up to +70 °C

#### Measuring range

0...+400 bar

#### Measuring principle

Absolute and relative pressure

#### Supply voltage

10...30 VDC

#### Power consumption / communication

4...20 mA

#### Protection class

IP 65 / 67

#### Process connection

Thread G1/4, G1/2, DIN 13

#### Weight

ca. 500g

**Material:** Housing AISI 316L with electropolished surface

#### Process temperature

-40°C up to +100 °C

#### Ambient temperature

-20°C up to +70 °C

#### Measuring range

0...+100 bar

#### Measuring principle

Absolute and relative pressure

#### Supply voltage

10...30 VDC

#### Power consumption / communication

4...20 mA

#### Protection class

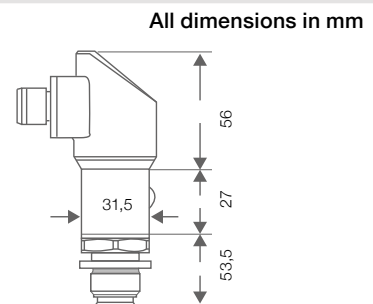
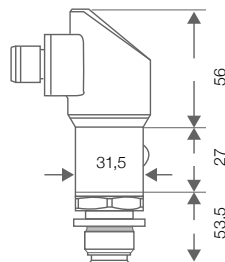
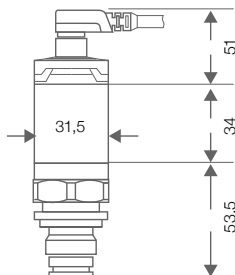
IP 65 / 67

#### Process connection

Thread G1/4, G1/2, DIN 13

#### Weight

ca. 500g



### ORDER NUMBERS

**Pressure sensor DS-C1**  
100 bar

**R002773**

**Pressure sensor DS-C2**  
400 bar, incl. digital display

**R002703**

**Pressure sensor DS-C3**  
100 bar, incl. digital display

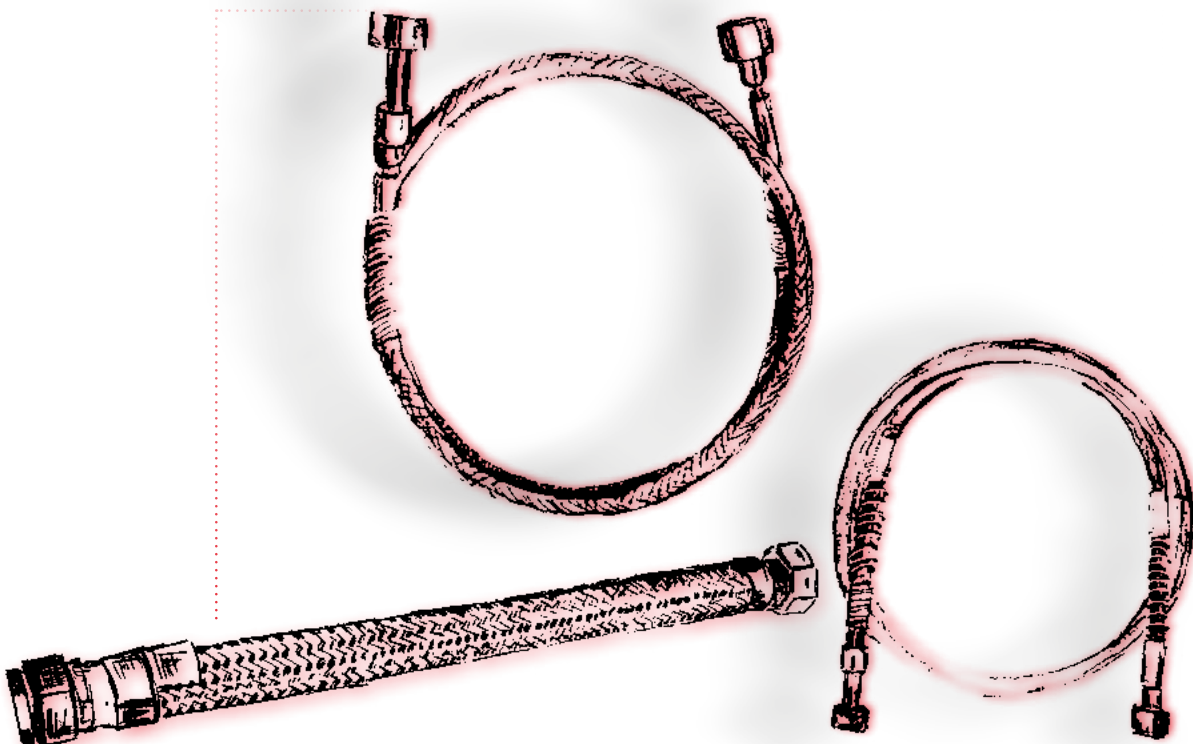
**R002742**



## High pressure hoses

HDS-E | HDWS-E

Gas line for N<sub>2</sub> and CO<sub>2</sub>



### OPERATIONAL AREA

CO<sub>2</sub> / N<sub>2</sub> High-pressure inerting systems

CO<sub>2</sub> Low-pressure inerting systems

## PRODUCT INFORMATION





# High pressure hoses

## HDS-E | HDWS-E

The high-pressure hose systems are characterized by precision and safety. The operator is optimally protected by a fourfold safety at bursting pressure as well as anti-kink springs.

### High pressure hose HDS-E

- With anti-kink spring on both sides
- Connection of N<sub>2</sub> bundle or CO<sub>2</sub> batteries to valve station
- 4-fold safety at burst pressure
- Braiding
- Ready for installation
- With gas type-specific fittings

### High pressure hose HDWS-E

- Connecting hose for decoupling the tank
- With 2-fold braiding
- Ready for installation
- Extra heavy

## TECHNICAL DATA

#### Usage, medium

Gas line from pipeline to valve station, N<sub>2</sub>/CO<sub>2</sub>

#### Material

Stainless steel | Polyamide

#### Connection

Hexagon union nut with flat sealing connecting bolt  
Details see below, DIN 477-1

#### Nominal width

DN6

#### Length

10.000 mm, 3000 mm, 2000 mm, 1.500 mm, 750 mm

#### Max. operating pressure

200 bar

#### Usage, medium

Connection from tank to sample point, CO<sub>2</sub>

#### Material

Stainless steel

#### Connection

on both sides DRF flat sealing 1" with PTFE-seal

#### Nominal width

DN25

#### Length

500 mm

#### Max. operating pressure

100 bar

## ORDER NUMBERS

#### High pressure hose HDS-E1

PA, 750 mm, PN300, on both sides cap nuts W24, 32-RH, bds. St-verz.-hexagonal female threaded sleeve M16x1,5 if with screwed-in brass-connection W24,32x1/14" RH, DIN 477-1, FA 10 for N2-200 bar

**R002906**

#### High pressure hose HDS-E2

PA, 1.500 mm, PN300, on both sides cap nuts W24,32-RH, bds. St-verz.-hexagonal female threaded sleeve M16x1,5 if with screwed-in brass-connection W24,32x1/14" RH, DIN 477-1, FA 10 for N2-200 bar

**R002904**

#### High pressure hose HDS-E3

PA, 2.000 mm, PN300, on both sides cap nuts W21,8-RH, bds. St-verz.-hexagonal female threaded sleeve M16x1,5 if with screwed-in brass-connection W21,8x1/14" RH, DIN 477-1, FA 6 for Inert-200 bar

**R002903**

#### High pressure hose HDS-E4

VA, 750 mm, PN300, on both sides cap nuts W24,32-RH, bds. St-verz.-hexagonal female threaded sleeve M16x1,5 if with screwed-in brass-connection W24,32x1/14" RH, DIN 477-1, FA 10 for N2-200 bar

**R002905**

#### High pressure hose HDS-E5

VA, 1.500 mm, PN300, on both sides cap nuts W24,32-RH, bds. St-verz.-hexagonal female threaded sleeve M16x1,5 if with screwed-in brass-connection W24,32x1/14" RH, DIN 477-1, FA 10 for N2-200 bar

**R002755**

#### High pressure hose HDS-E6

VA, 3.000 mm, PN300, cap nuts W24,32-RH-ÜM G1/2" RH, fld., es VA-hexagonal female threaded sleeve M16x1,5 if with screwed-in brass-connection W24,32x1/14" RH, DIN 477-1, FA-10 for N2-200 bar, as. VA hexagon nut G1/2" RH

**R002754**

#### High pressure hose HDS-E7

VA, 10.000 mm, PN300, cap nuts W24,32 RH-ÜM G 1/2" RH, DIN 477-1, FA 10, VA square nut G1/2" RH

**R002902**

#### High pressure hose HDWS-E

VA-1.4404, 500 mm, PN100 - extra heavy - DN25 x 500mm 1.4301

**R002756**

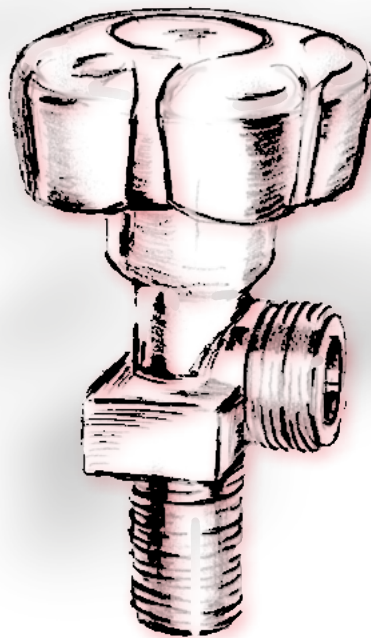
Further information on request



## High-pressure angle valve

HDV-K

Release and interruption of gas flows



### OPERATIONAL AREA

CO<sub>2</sub> / N<sub>2</sub> High-pressure inerting systems

CO<sub>2</sub> Low-pressure inerting systems



# High-pressure angle valve

## HDV-K

Angle valves are manually operated shut-off valves for releasing and interrupting gas flows.

### High-pressure angle valve HDV-K

- Manual operation by handwheel

#### Material

Housing: Brass

Seal: NBR, EPDM, PVDF

#### Medium

N<sub>2</sub> or CO<sub>2</sub>

#### Temperature range

-20°C up to +65°C

#### Operating pressure

Up to nominal pressure PN 250 bar

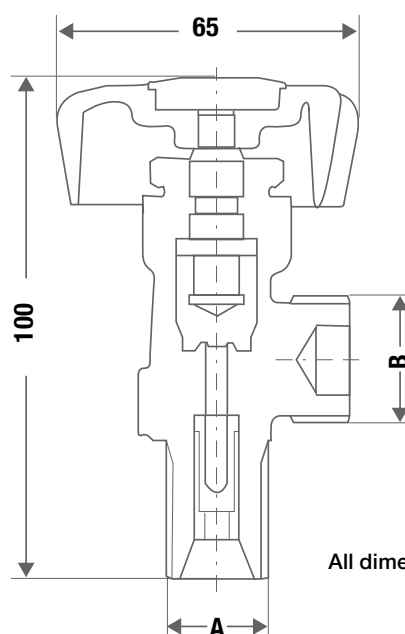
#### Connection

G1/2" | G3/4"

#### Weight

Ca. 0,5 kg

#### TECHNICAL DATA



All dimensions in mm

Medium	Nitrogen	Carbon dioxide
Female thread A	G 1/2",	G 3/4
Male thread B	W24, 32 x 1/14	W21, 80 x 1/14

### ORDER NUMBERS

High-pressure angle valve HDV-K for N<sub>2</sub>  
 High-pressure angle valve HDV-K for CO<sub>2</sub>, incl. locking nut

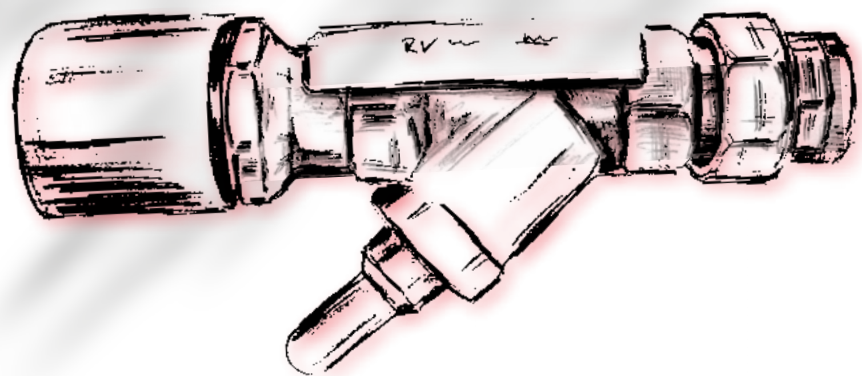
R002801  
 R002802



## Complete set Inerting nozzle KSI

Flat fan nozzle FSD-L | Non-return valve RSV-E

Set of fittings to regulate the injection of N<sub>2</sub> or CO<sub>2</sub>



### OPERATIONAL AREA

CO<sub>2</sub> / N<sub>2</sub> Inerting systems



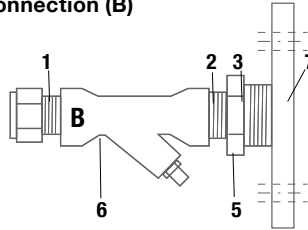
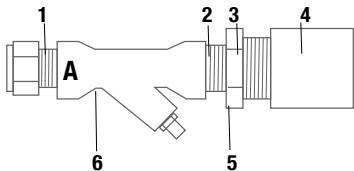
# Complete set inerting nozzle KSI

## Flat fan nozzle FSD-L | Non-return valve RSV-E

Nozzle set for regulating N<sub>2</sub> or CO<sub>2</sub> injection.

### Complete set inerting nozzle KSI

- ❑ Preassembled set consisting Flat spray nozzle and non-return valve
- ❑ Available with **Welding connection (A)** or **Flange connection (B)**



1. Screw connection for copper
2. Double nipple
3. Nozzle inside
4. Welding sleeve R 1 1/2".
5. Reduction non-return valve NW - 1 1/2" D
6. Non-return valve
7. Flange connection

### Flat fan nozzle FSD-L

- ❑ Uniform, parabolic liquid distribution
- ❑ Nozzle insensitive to clogging with high spray energy
- ❑ Compact design for confined installation conditions

#### Material

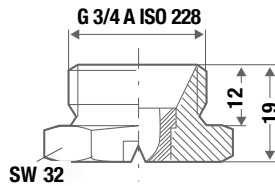
Brass

#### Angle of beam

60°

#### Weight

ca. per 75 g



### Valve | Volumen (m<sup>3</sup>/h)

#### CO<sub>2</sub>-valve

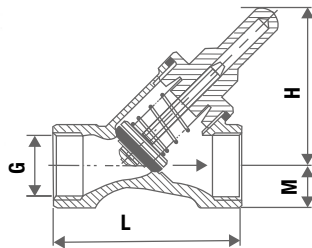
Größe	6 bar	12 bar	16 bar
3 x 60	13	30	45
4 x 60	20	50	70
5 x 60	45	85	115
6 x 60	70	135	190
8 x 60	120	225	310
9 x 60	150	290	390
10 x 60	185	360	480
12 x 60	290	550	730

#### N<sub>2</sub>-valve

Größe	6 bar	12 bar	16 bar
3 x 60	27	53	71
4 x 60	48	96	128
5 x 60	78	156	209
6 x 60	127	255	340
8 x 60	191	382	509
10 x 60	300	600	800
12 x 60	440	880	1173

### Non-return valve RSV-E

- ❑ Body consists of two screwed parts
- ❑ AI desired, please refer to flow direction



G	1/2	3/4	1
Dimensions in mm:			
L	65	76	90
H	46	58	76
M	14	16	21
Weight ca. kg:			
	0,3	0,4	0,6

#### Material

Housing: Brass | Bonnet: Brass (Ms.58)

Spring: Stainless steel 1.4310 | Seal: NBR

#### Temperature range

-20°C up to max +90°C

#### Pressure range

max. 16 bar

#### Connection

B.S.P. thread, G1/2 - G1 (DIN ISO 228 T1)

### ORDER NUMBERS

Complete set inerting nozzle KSI	preassembled socket 1 1/2"	<b>R002834</b>
Complete set inerting nozzle KSI	preassembled flange DN65_PN10	<b>R002835</b>
Complete set inerting nozzle KSI	preassembled flange DN50_PN10	<b>R002836</b>
Complete set inerting nozzle KSI	preassembled flange DN100_PN10	<b>R002837</b>

#### Ersatzteile

#### Flat spray nozzle

Flat fan nozzle 3x60	<b>R002838</b>
Flat fan nozzle 4x60	<b>R002839</b>
Flat fan nozzle 5x60	<b>R002840</b>
Flat fan nozzle 6x60	<b>R002841</b>
Flat fan nozzle 8x60	<b>R002842</b>
Flat fan nozzle 9x60	<b>R003035</b>
Flat fan nozzle 10x60	<b>R003036</b>
Flat fan nozzle 12x60	<b>R002843</b>

#### Non-return valve

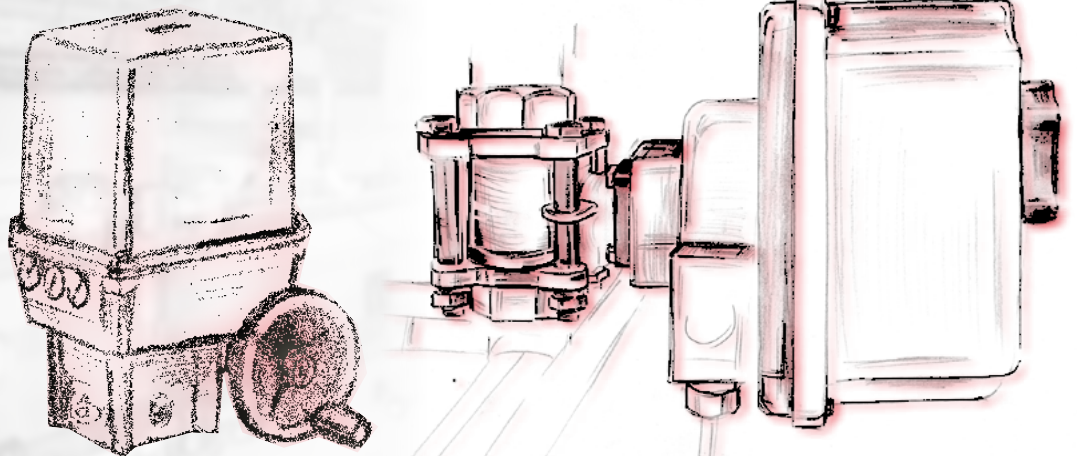
Non-return valve 1/2"	<b>R000656</b>
Non-return valve 3/4"	<b>R002372</b>
Non-return valve 1"	<b>R002976</b>



## Complete set Inerting valve

IVS-H | IVS-B with ball valve and actuator

Inerting



### OPERATIONAL AREA

Co<sub>2</sub> / N<sub>2</sub> High-pressure inerting systems

Co<sub>2</sub> Low-pressure inerting systems



# Complete set Inerting valve

## IVS-H | IVS-B with ball valve and actuator

The inert gas reaches the corresponding consumers or system parts via the electrically driven inerting valves.

### Complete set Inerting valve IVS-H

- Set completely pre-assembled
- Set consisting of rotary drive incl. position indicator, and ball valve

### Actuator SA-H

- Designed for harsh industrial use
- Electrical activation
- Emergency operation with handwheel
- High positioning accuracy
- Any mounting position (NOT COVER DOWN)

### Complete set Inerting valve IVS-B

- Set completely pre-assembled
- Set consisting of rotary drive incl. position indicator, and ball valve

### Actuator SA-B

- Electrical activation
- Emergency operation with handwheel
- Any mounting position (NOT COVER DOWN)

### TECHNICAL DATA OF ACTUATOR

#### Ambient temperature

-20°C up to +60 °C

#### Wight

ca. 5,5–6 kg

#### Supply voltage

24 VDC, 230 VAC, 110VAC,  
further on request

#### Electr. Connection

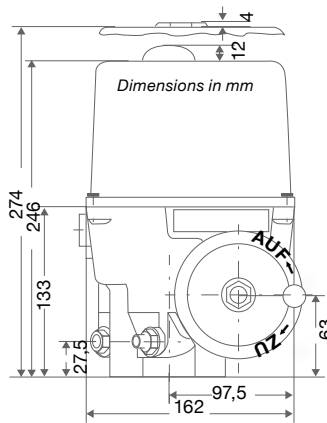
Terminal strip inside

#### Mech. Connection

Flange ISO 5211

#### Protection class

IP 67



Dimension of actuator incl. ball valve  
ca.: 180b x 229h x 324–386d

#### Ambient temperature

-25°C up to +70 °C

#### Wight

ca. 2,5–3 kg

#### Supply voltage

24 VDC, 230 VAC, 110VAC,  
further on request

#### Electr. Connection

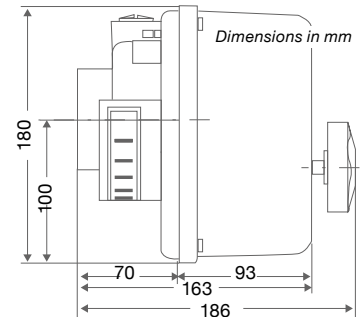
Terminal strip inside

#### Mech. Connection

Flange ISO 5211

#### Protection class

IP 65



Dimension of actuator incl. ball valve  
ca.: 146b x 180h x 265–327d

### ORDER NUMBERS

Complete set Inerting valve IVS-H1	Voltage 24VDC, DN 20 PN63	R002736
Complete set Inerting valve IVS-H2	Voltage 24VDC, DN 25 PN63	R002737
Complete set Inerting valve IVS-H3	Voltage 24VDC, DN 32 PN63	R002738
Complete set Inerting valve IVS-H4	Voltage 24VDC, DN 40 PN63	R002739
Complete set Inerting valve IVS-H5	Voltage 24VDC, DN 50 PN63	R002740
Complete set Inerting valve IVS-H6	Voltage 230VAC, DN 20 PN63	R002933
Complete set Inerting valve IVS-H7	Voltage 230VAC, DN 25 PN63	R002934
Complete set Inerting valve IVS-H8	Voltage 230VAC, DN 32 PN63	R002935
Complete set Inerting valve IVS-H9	Voltage 230VAC, DN 40 PN63	R002936
Complete set Inerting valve IVS-H10	Voltage 230VAC, DN 50 PN63	R002937
Complete set Inerting valve IVS-H11	Voltage 110VAC, 60 Hz, DN 25 PN63	R002777
Complete set Inerting valve IVS-H12	Voltage 110VAC, 60 Hz, DN 32 PN63	R002743
Complete set Inerting valve IVS-H13	Voltage 110VAC, 60 Hz, DN 40 PN63	R002938
Complete set Inerting valve IVS-B1	Voltage 24VDC, DN 15 PN63	R002908
Complete set Inerting valve IVS-B2	Voltage 24VDC, DN 20 PN63	R002860
Complete set Inerting valve IVS-B3	Voltage 24VDC, DN 25 PN63	R002820
Complete set Inerting valve IVS-B4	3-way, Voltage 24VDC, DN 25 PN63	R002909
Complete set Inerting valve IVS-B5	Voltage 24VDC, DN 32 PN63	R002819
Complete set Inerting valve IVS-B6	Voltage 24VDC, DN 40 PN63	R002818
Complete set Inerting valve IVS-B7	Voltage 24VDC, DN 50 PN63	R002910

### Equipment

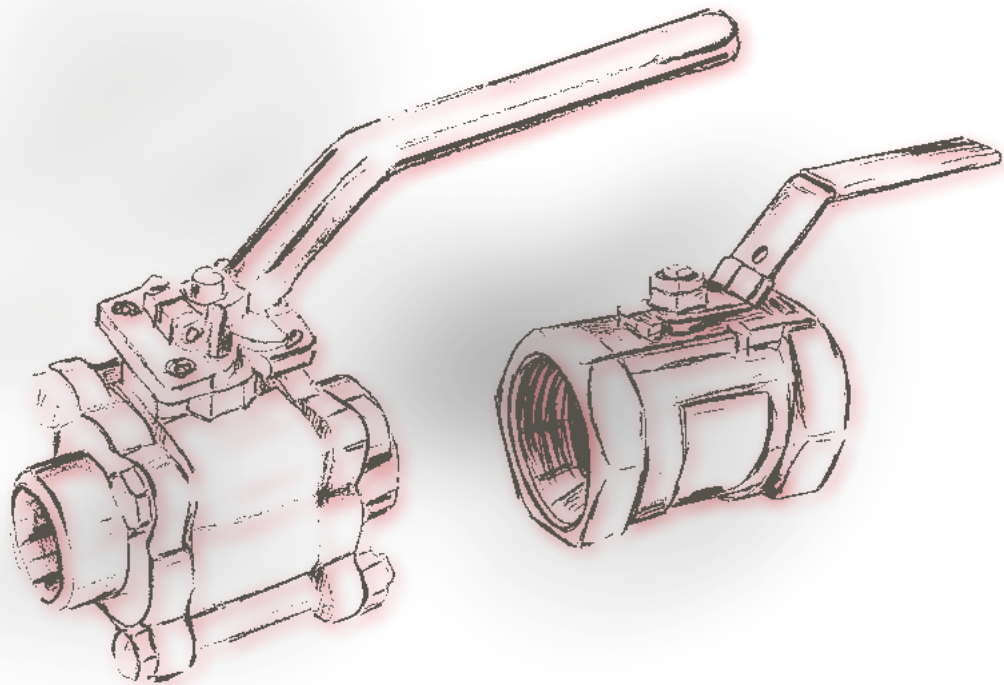
Sealing kit for ball valve	DN20	R002888
Sealing kit for ball valve	DN25	R002891
Sealing kit for ball valve	DN32	R002890
Sealing kit for ball valve	DN40	R002889
Electrical actuator SA-H		R002939
Double bracket & shaft extension for electrical ball valve SA-H		R002925
Electrical actuator SA-B		R002911
Double bracket & shaft extension for electrical ball valve SA-B		R002912



## Ball valve

KH-G | KH-B | KH-E

For shutting off pipelines



### OPERATIONAL AREA

CO<sub>2</sub> / N<sub>2</sub> High-pressure inerting systems

CO<sub>2</sub> Low-pressure inerting systems





# Ball valve

## KH-G | KH-B

Ball valves are used to shut off and open ball valves. The robecco ball valves are all made of stainless steel.

### Ball valve KH-G for use in CO<sub>2</sub> High-pressure systems !

- Ball valve for welding in
- Short version
- Three-piece housing
- Operation by hand lever
- Pressure rating up to PN 125 bar
- Nominal width DN up to 40
- Ball with floating bearing
- Vacuum-tight

#### Material

Stainless steel 1.4408

#### Medium

Liquid and gaseous

#### Pressure range

PN 125 bar

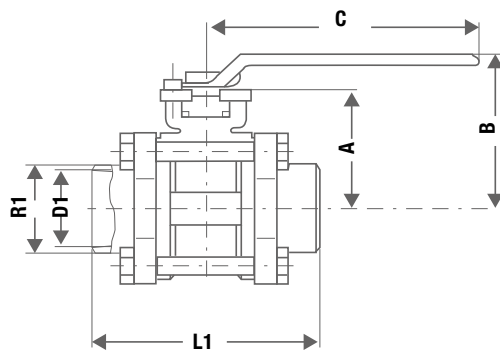
#### Connection

Welding ends

#### Nominal width

DN 20, 25, 32, 40

#### TECHNICAL DATA



	DN 20	DN25	DN32	DN40
<b>Dimensions in mm:</b>				
A	46	50	61	66
B	65	70	80	85
C	40	140	150	150
ØD1	22,3	28	37	42,8
L1	90	100	110	125
ØR1	28	34	43	49

#### Wight:

Kg ca.	1,0	1,5	2	3
--------	-----	-----	---	---

### Ball valve KH-B for use in N<sub>2</sub> High-pressure systems !

- Use for inerting with nitrogen
- DN 20 / DN 25

#### Material

Housing: Steel | Ball: Stainless steel AISI 316

Control shaft: Stainless steel AISI 316

#### Medium

Liquid and gaseous

#### Temperature range

-30°C – + 100°C

#### Pressure range

PN 315 bar

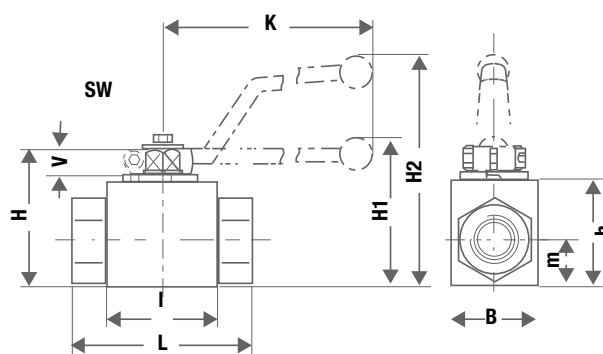
#### Connection

Sleeves

#### Wight

ca. 1,5 / 2,5 kg

#### TECHNICAL DATA



	DN 20	DN25
<b>Dimension in mm:</b>		
L	95	113
l	62	66
B	49	58
H	75	83
h	57	65
m	24,5	29,5
V	14	14
SW	14	14
K	200	200
H1	79	87
<b>Wight:</b>		
Kg ca.	1,5	2,5

#### ORDER NUMBERS

Ball valve KH-G	DN20	R002704
Ball valve KH-G	DN25	R002705
Ball valve KH-G	DN32	R002706
Ball valve KH-G	DN40	R002707
Sealing kit for ball valve KH-G	DN20	R002961
Sealing kit for ball valve KH-G	DN25	R002816
Sealing kit for ball valve KH-G	DN32	R002810
Sealing kit for ball valve KH-G	DN40	R002926
Ball valve KH-B	DN20	R002858
Ball valve KH-B	DN25	R002859

# Ball valve

## KH-E

Ball valves are used to shut off and open ball valves. The robecco ball valves are all made of stainless steel.

### Ball valve KH-E-1 for use in CO<sub>2</sub> Low-pressure systems !

- Ball valve for welding in or with screw thread
- Three-piece housing
- Operation by hand lever
- Pressure rating up to PN 64 bar
- Two way ball valve

### TECHNICAL DATA

#### Material

Stainless steel 1.4408

#### Medium

Gaseous

#### Temperature range

-30°C – +180°C

#### Pressure range

up to PN 40 bar or up to PN 64 bar

#### Connection

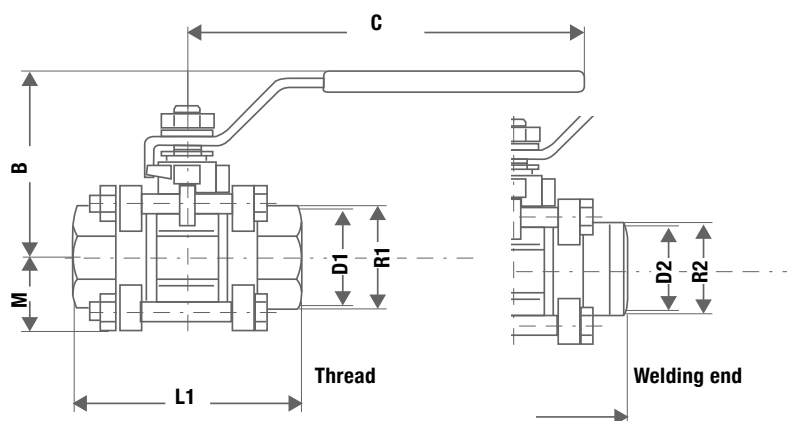
Welding ends | Screw thread

#### Connection size

3/4", 1", 1 1/4", 1 1/2", 2" | DN 20, 25, 32, 40, 50

#### Wight

1–3,5 kg je typ



#### Dimensions of thread:

ØR1	3/4"	1"	1 1/4"	1 1/2"	2"
-----	------	----	--------	--------	----

B	59	70	76	90	99
---	----	----	----	----	----

C	101,5	126,5	126,5	161,5	161,5
---	-------	-------	-------	-------	-------

ØD1	20	24,5	32	38	50
-----	----	------	----	----	----

L1	80	90	110	120	140
----	----	----	-----	-----	-----

M	25	29	33	39	46
---	----	----	----	----	----

PN	64	64	40	40	40
----	----	----	----	----	----

kg ca.	0,6	0,9	1,3	2,1	3,5
--------	-----	-----	-----	-----	-----

#### Dimensions of welding end:

Nominal width:	DN20	DN25	DN32	DN40	DN50
----------------	------	------	------	------	------

B	59	70	76	90	99
---	----	----	----	----	----

C	101,5	126,5	126,5	161,5	161,5
---	-------	-------	-------	-------	-------

ØD2	20	24,5	32	38	50
-----	----	------	----	----	----

L1	90	100	110	125	150
----	----	-----	-----	-----	-----

M	25	29	33	39	47
---	----	----	----	----	----

R2	26,9	33,7	42,4	28,3	60,3
----	------	------	------	------	------

PN	64	64	40	40	40
----	----	----	----	----	----

kg ca.	0,6	0,9	1,3	2,1	3,3
--------	-----	-----	-----	-----	-----

### ORDER NUMBERS

Ball valve KH-E-1 3/4"	PN64 threaded connection	R002954
Ball valve KH-E-1 1"	PN64 threaded connection	R002710
Ball valve KH-E-1 1 1/4"	PN40 threaded connection	R002711
Ball valve KH-E-1 1 1/2"	PN40 threaded connection	R002821
Ball valve KH-E-1 2"	PN40 threaded connection	R002709

Ball valve KH-E-1 DN20	PN64 welded connection	R002957
Ball valve KH-E-1 DN25	PN64 welded connection	R002956
Ball valve KH-E-1 DN32	PN40 welded connection	R002955
Ball valve KH-E-1 DN40	PN40 welded connection	R002712
Ball valve KH-E-1 DN50	PN40 welded connection	R002822



# Ball valve

## KH-E

Ball valves are used to shut off and open ball valves. The robeco ball valves are all made of stainless steel.

### Ball valve KH-E-2 | KH-E-3

- Ball valve with screw thread
- One-piece housing | Two-piece housing
- Operation by hand lever
- Pressure rating up to PN 63 bar
- 2 way ball valve

### TECHNICAL DATA

#### Material

Stainless steel 1.4408

#### Medium

Gaseous

#### Temperature range

-25°C – +180°C

#### Pressure range

up to PN 63 bar

#### Connection

Screw thread

#### Dimension of connection

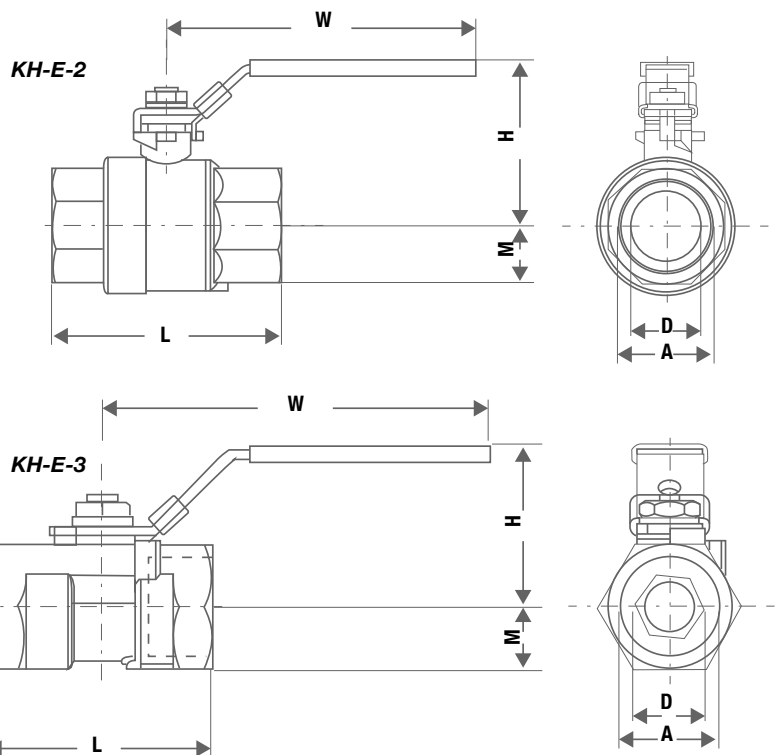
1/2"

#### Wight

0,32 kg | 0,16 kg

#### Dimensions:

	KH-E-2	KH-E-3
A	1/2"	1/2"
DØ	15	9
L	75	55,6
H	62	34,4
M	17	12,5
W	123	95
PN	64	64
Kg ca.	0,32	0,16



### ORDER NUMBERS

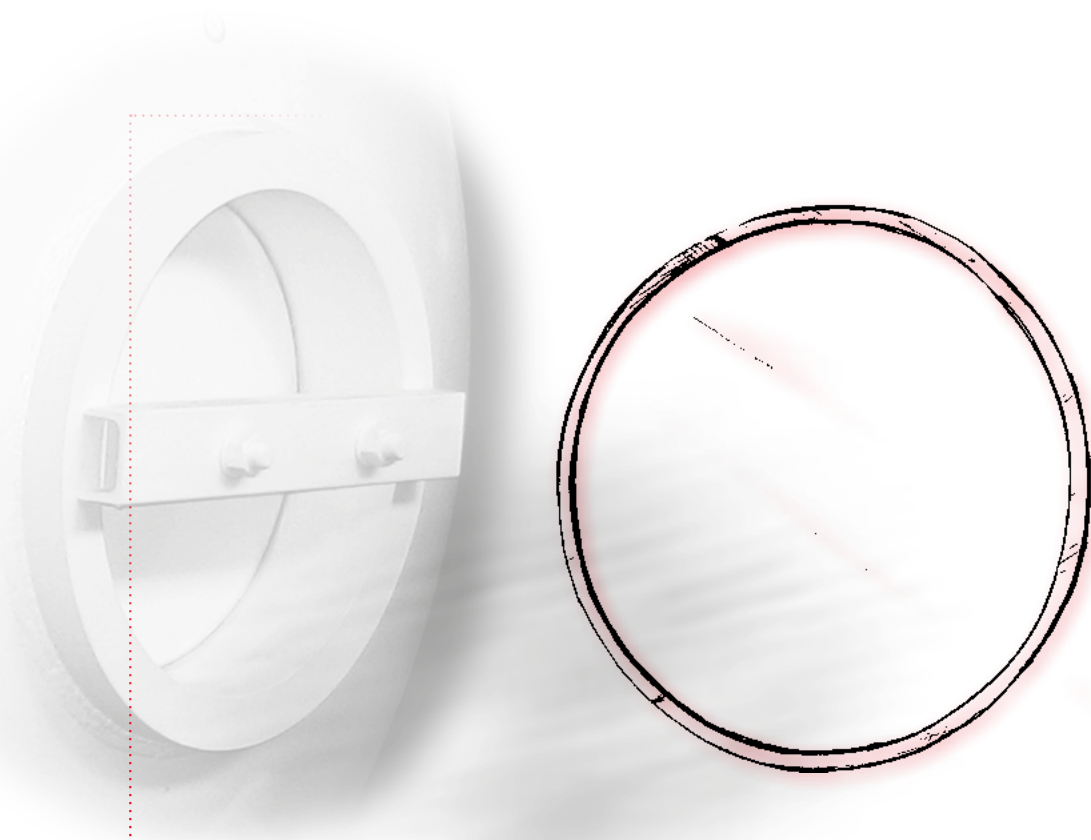
Ball valve KH-E-2	1/2" PN64 threaded connection	R002708
Ball valve KH-E-3	1/2" PN64 threaded connection	R002825



## Manhole seal

BMD

Seals for use on high-pressure vessels



### OPERATIONAL AREA

CO<sub>2</sub> High-pressure inerting systems



# Manhole seal

## BMD



Spare part for high pressure vessels

### Manhole seal BMD

Very durable

#### Dimensions standard:

x:  $\varnothing$  480 mm inner diameter

y:  $\varnothing$  492 mm outer diameter

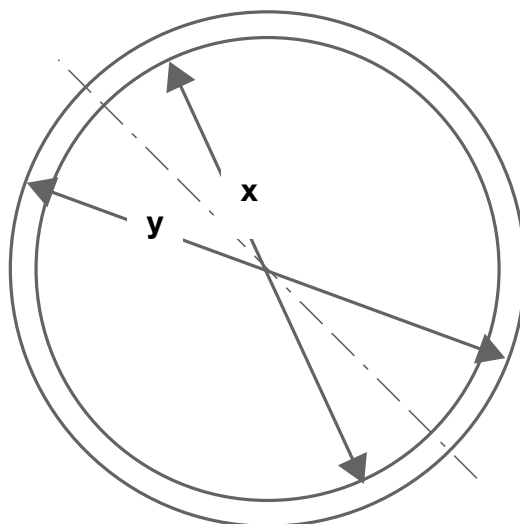
#### Dimensions 450/510:

x:  $\varnothing$  450 mm inner diameter

y:  $\varnothing$  510 mm outer diameter

#### Material

Klinger C 4430



### ORDER NUMBERS

**Manhole seal BMD-1**

for high-pressure vessel standard

**R002799**

**Manhole seal BMD-2**

for high-pressure vessel; diameter 450/510

**R002800**



## Pressure gauge

MM-P

Pressure monitoring in pipelines



### OPERATIONAL AREA

CO<sub>2</sub> / N<sub>2</sub> High-pressure inerting systems

CO<sub>2</sub> Low-pressure inerting systems



# Pressure gauge

## MM-P

The pressure gauge is used to monitor the pressure of gaseous and liquid, non-crystallizing and not highly viscous media. It can be used for low pressure, normal pressure and high pressure.

### Pressure gauge MM-P

- Equipped with a mechanical Bourdon tube measuring element
- Stainless steel
- Display range 0 – 160 bar selectable

#### TECHNICAL DATA

##### Material

Housing: Stainless steel, CrNi-steel 1.4301

Material dial and pointer: Aluminium

Wetted Parts Stainless Steel: CrNi-steel 1.4571

Cover glass: Safety laminated glass

##### Medium

Liquid and gaseous media

##### Permissible medium temperature

-20 ° – +130°C

##### Permissible ambient temperature

-20 ° – +60°C

##### Process connection

NG 100 G 1/2" B, radial

##### Protection class (EN 60529)

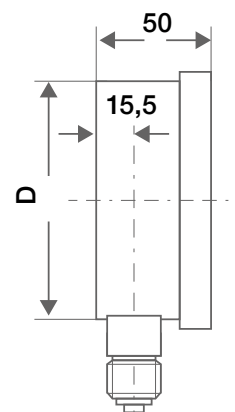
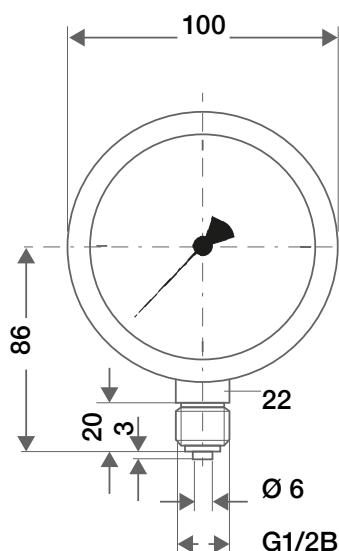
IP 54

##### Wight

ca. 0,6 kg

##### Measuring accuracy (EN 837)

Class 1,0



Dimensions in mm indication

#### ORDER NUMBERS

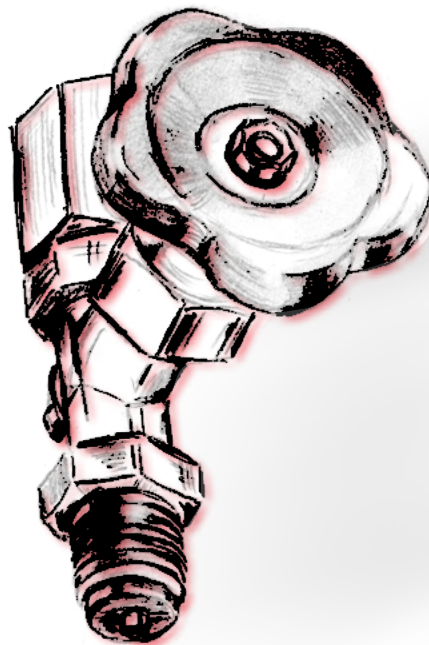
Pressure gauge MM-P	Vacuum ranges 0 - 5 bar	R002970
Pressure gauge MM-P	Vacuum ranges 0 - 10 bar	R002817
Pressure gauge MM-P	Vacuum ranges 0 - 25 bar	R002815
Pressure gauge MM-P	Vacuum ranges 0 - 40 bar	R002971
Pressure gauge MM-P	Vacuum ranges 0 - 100 bar	R002809
Pressure gauge MM-P	Vacuum ranges 0 - 160 bar	R002972



## Pressure gauge valve

### MMV-B

Shutting off pressure measuring devices  
in emergencies and for repairs



#### **OPERATIONAL AREA**

CO<sub>2</sub> / N<sub>2</sub> High-pressure inerting systems  
CO<sub>2</sub> Low-pressure inerting systems





# Pressure gauge valve

## MMV-B

robecco pressure gauge valves are used to shut off pressure gauges in inerting systems.

### Pressure gauge valve MMV-B

- Internal stem thread
- Stem with cold rolled surface and non-rotating needle tip
- Valves are operated by hand

#### TECHNICAL DATA

##### Pressure gauge valve MMV-B

##### Material

Body: Messing  
 Valve stem and valve tip: Stainless steel 1.4104  
 Union nut and adjusting nut: Steel  
 Swivel nut: Brass  
 Handwheel: plastic

##### Temperature range

-10°C up to max. +120°C

##### Operation pressure

Up to nominal pressure PN 250 bar

##### Connection

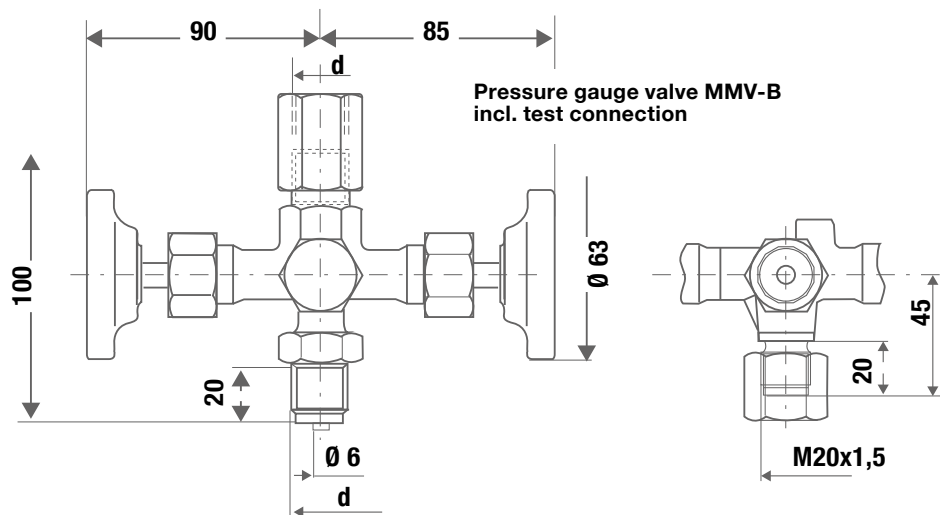
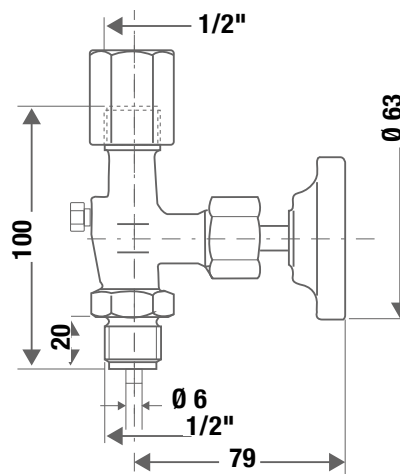
G1/2"

##### Wight

ca. 0,8 kg

##### Actuation

Turning the handwheel  
 Clockwise closing



Dimensions in mm specification

#### ORDER NUMBERS

Pressure gauge valve MMV-B  
 Pressure gauge valve MMV-B

G 1/2"  
 G 1/2", incl. test connection

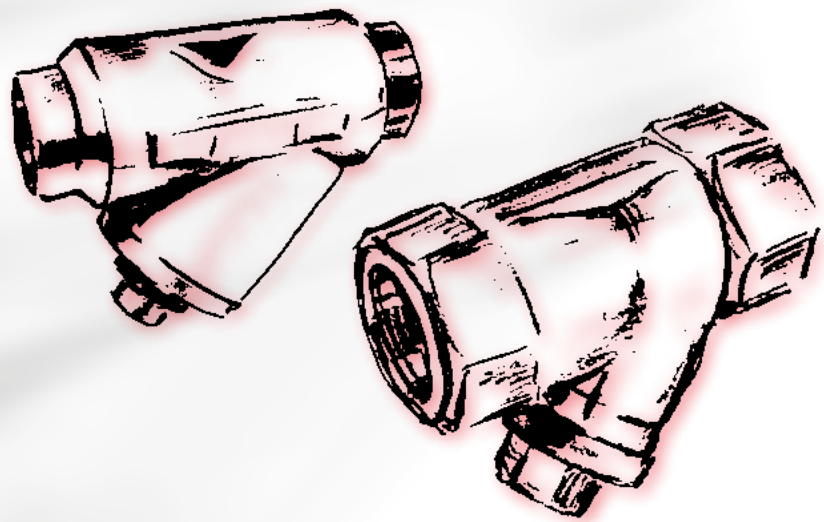
R002844  
 R002845



## Strainer

SF-E | SF-G

Filtration of impurities from pipelines



### OPERATIONAL AREA

CO<sub>2</sub> High-pressure inerting systems

CO<sub>2</sub> Low-pressure inerting systems



# Strainer

## SF-E | SF-G

Strainers are used to filter out impurities from pipelines.  
The cleaning effect of these types depends on the size of the mesh.

### Strainer SF-E (LOW PRESSURE)

- Body exists of two (screwed) parts
- Stainless steel
- Bonnet upside down, please refer to flow direction
- Use after pressure reduction in LOW PRESSURE systems

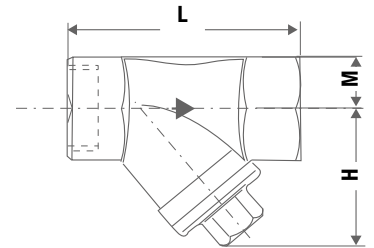
**Material**  
Entry housing: Stainless steel  
Bonnet: Stainless steel  
Mesh: Stainless steel  
Seal: PTFE

**Permissible temperature range**  
-30°C up to max. +180°C

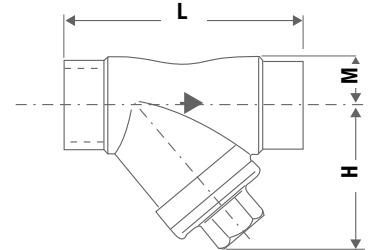
**Mesh size**  
0,25

**Nominal pressure**  
max. 40 bar

Threaded connection



Welded connection



Nominal size DN	Thread G	Length L	Height H	M
25	1"	90	57,5	18,5
32	1 1/4"	110	65	23
40	1 1/2"	120	74	26,5

### Strainer SF-G (HIGH PRESSURE)

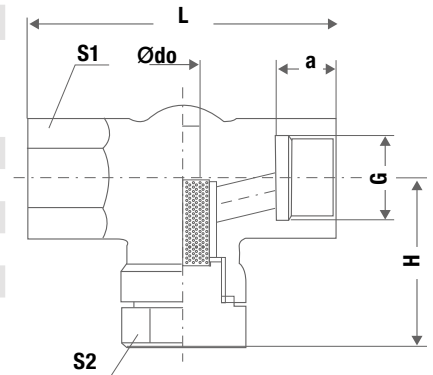
- Stainless steel
- High-pressure fitting
- Use after pressure reduction in HIGH PRESSURE systems

**Material**  
Housing: Chrome steel 1.4021  
Stake: 1.0715.07  
Filter: 1.43011

**Permissible temperature range**  
-40°C– +400°C

**Mesh size**  
0,25

**Nominal pressure**  
250 bar



Nominal size DN	Thread G	Face to face dim.L	Height H	Soccet depth a	flow diam. do	widht across flats S1	widht across flats S2	Wight
20	1"	130	65	19,1	18	46	41	ca. 1,5 kg
25	1 1/4"	160	80	21,4	25	60	50	ca. 3,3 kg

### ORDER NUMBERS

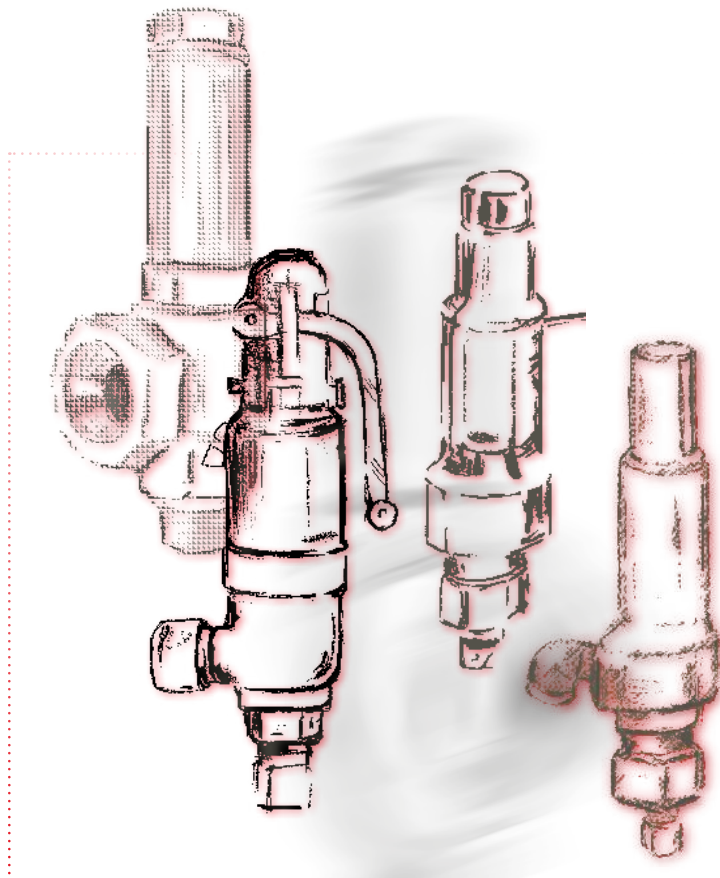
Strainer SF-E	1", with Screw connection	R002980
Strainer SF-E	1 1/4", with Screw connection	R002979
Strainer SF-E	1 1/2", with Screw connection	R002982
Strainer SF-E	1 1/4", with welded connection	R002981
Strainer SF-G	1"	R002700
Strainer SF-G	1 1/4"	R002702



## Safety valves

SV-H1 | SV-L1 | SV-L2 | SV-L3

Valves for protection against pressure rise



### OPERATIONAL AREA

CO<sub>2</sub> / N<sub>2</sub> High-pressure inerting systems

CO<sub>2</sub> Low-pressure inerting systems



# Safety valves

## SV-L1 | SV-H1

A safety valve is a valve which opens automatically to prevent a predetermined gauge pressure being exceeded and which recloses after decrease in pressure. Intended as a safety device against impermissible excess pressure in stationary and mobile pressurized gas containers. **In closed rooms, blow-off lines must be led from all safety valves to the outside, and robecco gas warning systems must be installed.** Each robecco safety valve is delivered with a valid acceptance certificate from the ZÜS. (Zugelassene Überwachungsstelle)

### Safety valve SV-H1

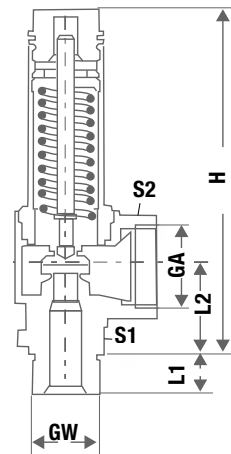
- Closed bonnet
- Permitted for cryogenic gases such as oxygen and nitrogen

<b>Material</b>	Brass PN 40
Inletbody:	Stainless steel
Obturator with coal filled PTFE valve seal	
<b>Permissible temperature range</b>	-196°– +185°C
<b>Wight</b>	ca. 0,80 kg

#### Pressure stages

- 10 bar
- 20 bar
- 25 bar
- 32 bar
- 40 bar

<b>Dimensions</b>	
Nom. size GW:	3/4" Key size S1: ca. 30 mm
Hight H:	ca. 140 mm Key size S2: ca. 41 mm
Length L1:	ca.16 mm Outlet GA: ca.1"
Length L2:	ca.36 mm



### Safety valve SV-L1

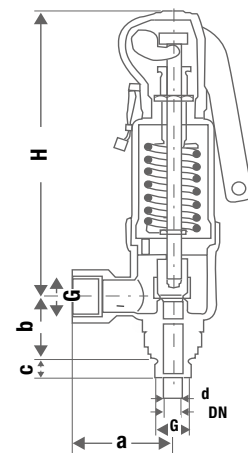
- Bonnet
- Permitted for gases and steam

<b>Material</b>	Bronze PN 40
Inletbody:	Stainless steel
Obturator with coal filled PTFE valve seal	
<b>Permissible temperature range</b>	-10°– +300°C
<b>Wight</b>	ca. 2,6 kg

<b>Pressure stages</b>	80 bar
<b>Dimensions</b>	
Nominal diameter:	DN 15
Entrance cone G	3/4"
Outlet socket G	1"

#### Dimensions

- Hight H: ca. 230 mm
- together with bellows 45 mm
- Centre to face: a 75 mm | b 50 mm
- Pin lenght: c 16 mm



### ORDER NUMBERS

Safety valve SV-H1	3/4", d07, 10 bar	R002776
Safety valve SV-H1	3/4", d07, 20 bar	R002775
Safety valve SV-H1	3/4", d07, 25 bar	R002928
Safety valve SV-H1	3/4", d07, 32 bar	R002774
Safety valve SV-H1	3/4", d07, 40 bar	R002732
Safety valve SV-L1	3/4", VA, 80 bar	R002734

# Safety valves

## SV-L2 | SV-L3

A safety valve is a valve which opens automatically to prevent a predetermined gauge pressure being exceeded and which recloses after decrease in pressure. Intended as a safety device against impermissible excess pressure in stationary and mobile pressurized gas containers. **In closed rooms, blow-off lines must be led from all safety valves to the outside, and robecco gas warning systems must be installed.** Each robecco safety valve is delivered with a valid acceptance certificate from the ZÜS. (Zugelassene Überwachungsstelle)

### Safety valve SV-L2

- Closed bonnet
- Permitted for gases and steam

**Material**  
Stainless steel  
Inletbody: Stainless steel  
**Permitted temperature range**  
-10 – +300°C

#### Pressure stages

10 bar  
20 bar  
40 bar

**Wight**  
ca. 1,6 kg  
**Max. set pressure**  
180 bar

#### Dimensions

Hight H: ca. 158 mm  
Centre to face: a 30 mm | b 33 mm  
Pin length: c 16 mm

Nominal diameter: DN 10  
Entrance cone G<sub>1</sub> 1/2 | G<sub>1</sub> 3/4  
Outlet socket G<sub>2</sub> 1/2

### Safety valve SV-L3

- Closed bonnet
- Permitted for gases and steam

**Material**  
Stainless steel, corrosion-proof  
Inletbody: Stainless steel  
**Permitted temperature range**  
-270 – +400°C

#### Pressure stages

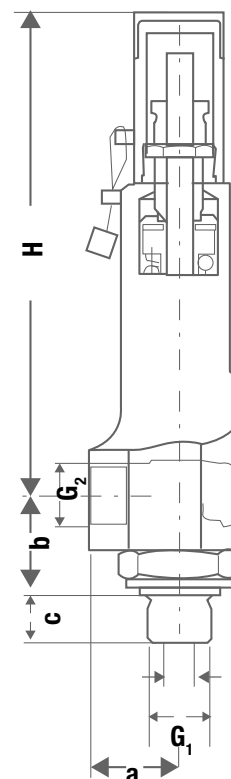
240 bar

**Wight**  
ca. 1,6 kg

#### Dimensions

Hight H: ca. 158 mm  
Centre to face: a 30 mm | b 33 mm  
Pin length: c 16 mm

Nominal diameter DN 6  
Entrance cone G<sub>1</sub> 1/2 | G<sub>1</sub> 3/4  
Outlet socket G<sub>2</sub> 1/2  
Smallest Flow area 28,3 mm<sup>2</sup>  
Smallest Flow diameter 6 mm



### ORDER NUMBERS

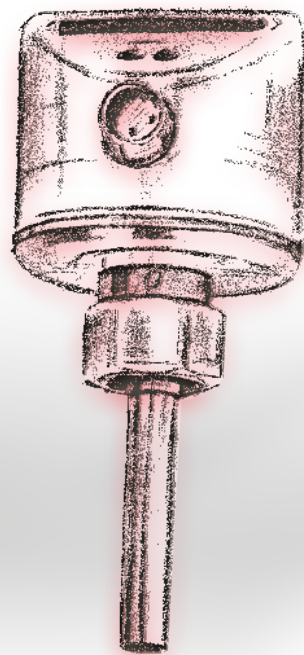
Safety valve SV-L2	3/4", VA, 10 bar	R002983
Safety valve SV-L2	3/4", VA, 20 bar	R002984
Safety valve SV-L2	3/4", VA, 40 bar	R002985
Safety valve SV-L2	3/4", VA, 100 bar	R002733
Safety valve SV-L3	1/2", VA, 240 bar	R002735



## Flow sensor

SW-I

Monitoring of the flow condition  
in pipelines



### OPERATIONAL AREA

CO<sub>2</sub> / N<sub>2</sub> High-pressure inerting systems  
CO<sub>2</sub> Low-pressure inerting systems



# Flow sensor

## SW-I

This sensor is used to monitor the flow condition of liquid and gaseous media in pipelines.

### Flow sensor SW-I

- Can be used in harsh industrial environments
- Variable process connection via adapter
- Simple setting of switching points for fast commissioning
- LED bar graph for display of switching point and flow status

#### Material

Housing:  
Stainless steel 1.4301, PC (Makrolom), PBT-GF20

#### Media

liquid | gaseous

#### Temperature range

-25°C up to +80°C

#### Weight

ca. 250 g

#### Operating voltage V

19...36 DC

#### Compressive strength

300 bar

#### Process connection

1/2"

#### Protection class

IP 67, III

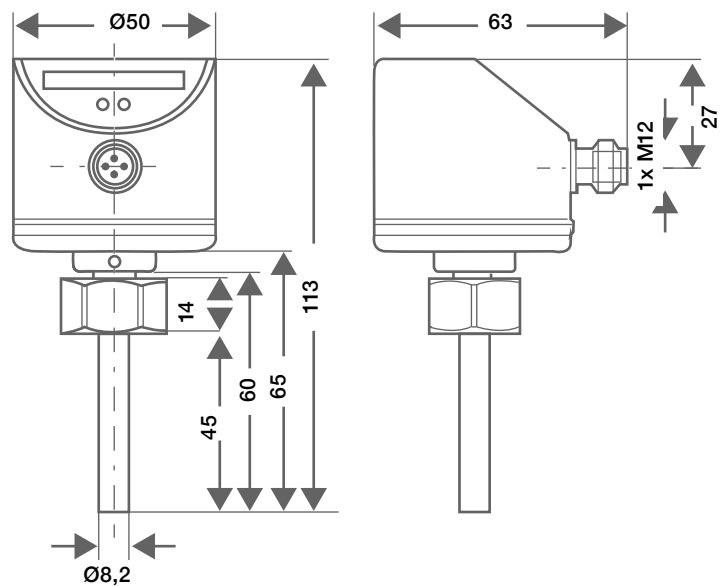
#### Electr. connection

Plug connection: 1 x M12

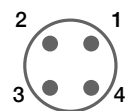
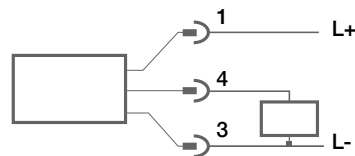
#### Standard

EN 61000-6-2

### TECHNICAL DATA



#### Connection assignment



### ORDER NUMBER

Flow sensor SW-I

R002701



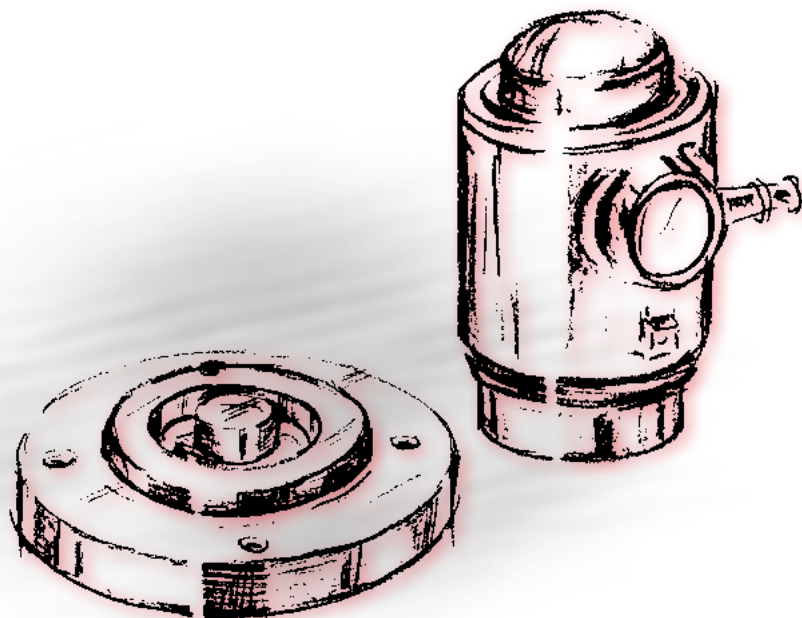




## Load cells

WZ-S | WZ-SP

designed for weighing vessels



### OPERATIONAL AREA

CO<sub>2</sub> High-pressure inerting systems

CO<sub>2</sub> Low-pressure inerting systems



# Load cells

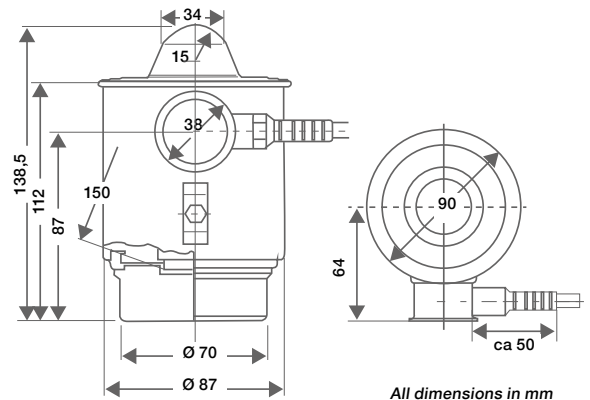
## WZ-S

Load cells are designed for weighing vessels.

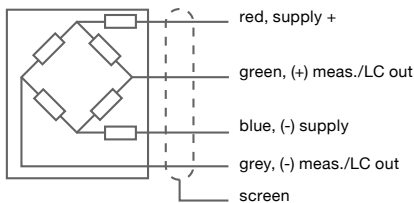
### Load cell WZ-S

- ❑ Insert for high pressure vessel
- ❑ Easy installation
- ❑ Stainless steel
- ❑ Due to "matched output" technology, a damaged load cell can be exchanged without the need for re-calibration.

<b>Material</b>	Housing: Stainless steel
<b>Temperature range</b>	-10° C up to +55° C
<b>Weight</b>	ca. 2,00 –2,5 Kg
<b>Protection class</b>	IP 68
<b>Output</b>	1 od 2 mV/V
<b>Pressure force</b>	per Typ 5 t / 10 t
<b>Nominal supply voltage</b>	4... 24 VDC



All dimensions in mm

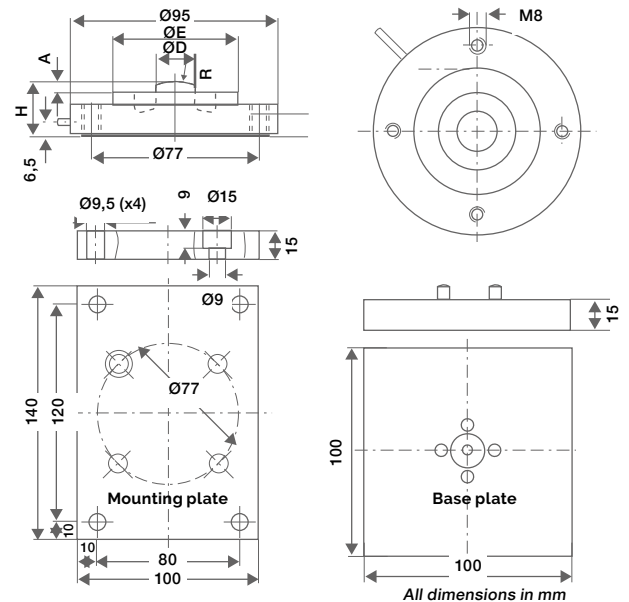


We reserve the right to amend specification

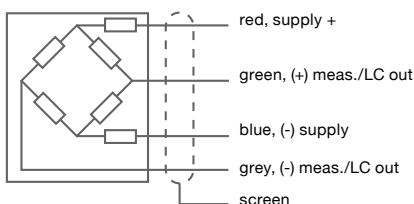
### Load cell WZ-SP

- ❑ Insert for low pressure vessels and S-Batteries
- ❑ Very easy installation
- ❑ Stainless steel
- ❑ Compact installation height 25 /35 mm

<b>Material</b>	Housing: Stainless steel
<b>Temperature range</b>	-10°C up to +70°C
<b>Weight</b>	ca. 0,9 –1,2 Kg
<b>Protection class</b>	IP68
<b>Output</b>	1 od 2 mV/V
<b>Pressure force</b>	per Typ 2t / 5 t / 10 t
<b>Nominal supply voltage</b>	4... 24 V
<b>Dimensions</b>	Ø 95 mm x 25 / 35 mm H



All dimensions in mm



Load cells WZ-s | WZ-SP | robecco 05 /2021

### ORDER NUMBERS

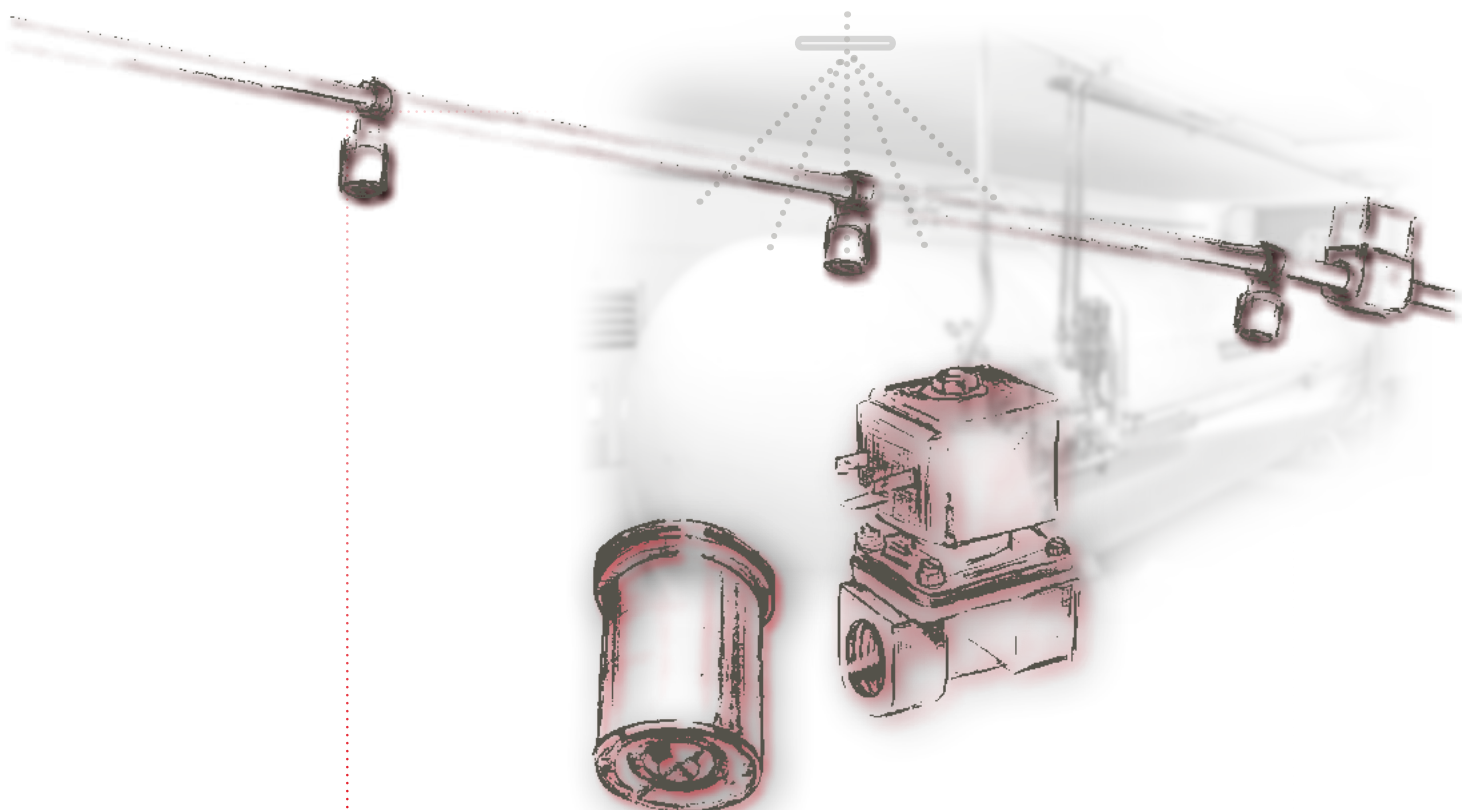
<b>Load cell WZ-S1</b>	Pressure force 10 t	<b>R002812</b>
<b>Load cell WZ-S2</b>	Pressure force 5 t	<b>R002999</b>
<b>Load cell WZ-SP3</b>	Pressure force 10 t	<b>R003001</b>
<b>Load cell WZ-SP4</b>	Pressure force 5 t	<b>R003002</b>
<b>Load cell WZ-SP5</b>	Pressure force 2 t	<b>R003000</b>
<b>Load cell base plate for WZ-SP3, SP4, SP5</b>		<b>R003003</b>
<b>Load cell mounting plate for WZ-SP3, SP4, SP5</b>		<b>R003004</b>



## Water sprinkling unit

Solenoid valve WMV-S | Hose line WSL  
Full cone nozzle WVKD-L

Installation for cooling high-pressure vessels



### OPERATIONAL AREA

CO<sub>2</sub> High-pressure inerting systems



# Water sprinkling unit

Solenoid valve WMV-S | Hose line WSL | Full cone nozzle WVKD-L

Unit for cooling CO<sub>2</sub> high-pressure vessels.

The unit consists of solenoid valve, hose line, stainless steel pipe and nozzles. robecco will assemble the complete unit for you individually.

The individual components are available as spare parts.

## Solenoid valve WMV-S

- Pre-actuated 2/2-way solenoid valve
- Minimum operating pressure 0.1 bar



### Connection

G 3/4"

### Max. permissible pressure

16 bar

### Electrical connection

24 V DC / 230 V AC

### Ambient temperature

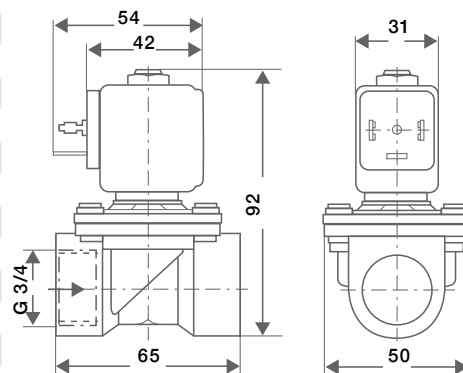
- 10°C + 60°

### Material

Body: Brass

### Protection class

IP 65 EN



all Dimensions in mm

We reserve the right to amend specification

## Hose line WSL

- Sheathing stainless steel braiding NEOFLEX

### Length

1.000 mm

### Permissible pressure

max. 10 bar

### Connection

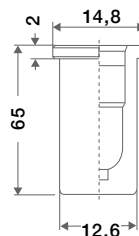
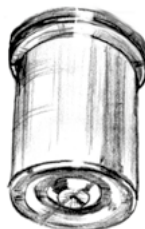
DN 16 | 3/4" Überwurfmutter

### Material

AISI 304

## Full cone nozzle WVKD-L

- Axial full cone nozzle
- Even liquid distribution
- Mounting with union nut



### Strahlwinkel

90°

### Reference pressure / flow rate

5 bar = 18 l/min

### Connection thread

3/8" Union nut

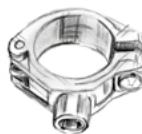
### Material

Brass

Water sprinkler unit robecco 05 /2021

## Equipment

- Mounting clamp



- Union nut



## ORDER NUMBERS

Solenoid valve WMV-S1  
Solenoid valve WMV-S2

24 V DC  
230 V AC

R002851  
R002852

Hose line WSL

R002968

Full cone nozzle WVKD-L

MS58

R002996

Equipment

Mounting clamp for full cone nozzle WVKD-L  
Union nut for full cone nozzle WVKD-L

Polyamid  
MS58

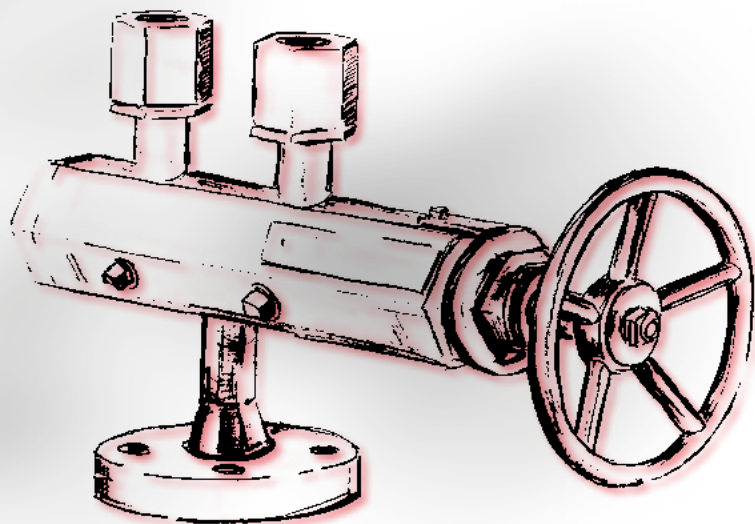
R002997  
R002998



## Change-over valve

WV-H

for the installation of two safety valves



### OPERATIONAL AREA

CO<sub>2</sub> High-pressure inerting systems



# Change-over valve

## WV-H

for the installation of two safety valves. Cryogenic Changeover valves, stainless steel.  
Approved for air gases, vapours and cryogenic liquefied gases.

### Change-over valve WV-H

- Cryogenic Changeover Valves, stainless steel
- With two test connections
- Approved for air gases, vapours and cryogenic liquefied gases
- Manual operation by handwheel

#### Material

Housing: Stainless steel 1.4571

Sealing: PTFG

Hand wheel: Aluminium

#### Medium

air gases, vapours and cryogenic liquefied gases

#### Temperature range

-196°C – +185°C

#### Operation pressure

PN 160 bar

#### Flange diameter

Flange DN 2638, DN15

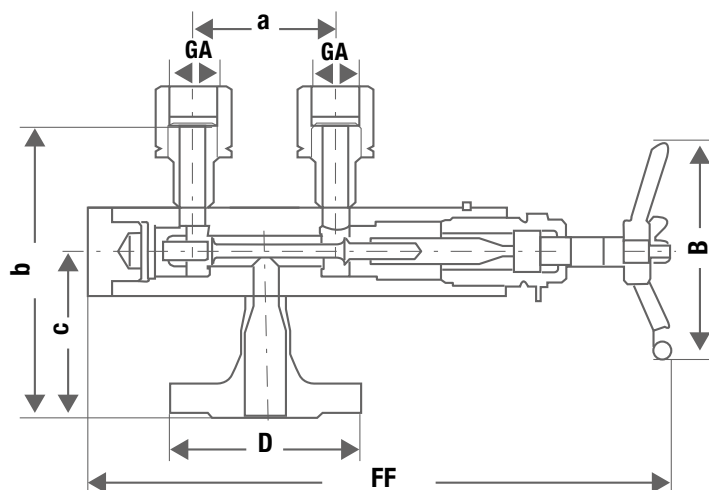
#### Outlet

Spannmuffe 3/4 "

#### Weight

ca. 5 kg

### TECHNICAL DATA



#### DIMENSIONS in mm

Dimension data						
a	b	D	B	c	FF	GA
110	140	105	120	70	325	3/4"

### ORDER NUMBER

Change-over valve WV-H

DN15, PN160 bar

R002793

**Further information  
on request**



